

2310131021

DS-2780ZJ-X316L

Explosion-Proof Terminal Box, SST, IP68, ATEX_IECEX



- ✓ Stainless steel 316L
- ✓ Four cable outlets
- ✓ ATEX and IECEx certified explosion-proof performance
- ✓ Ingress protection, IP68

Description

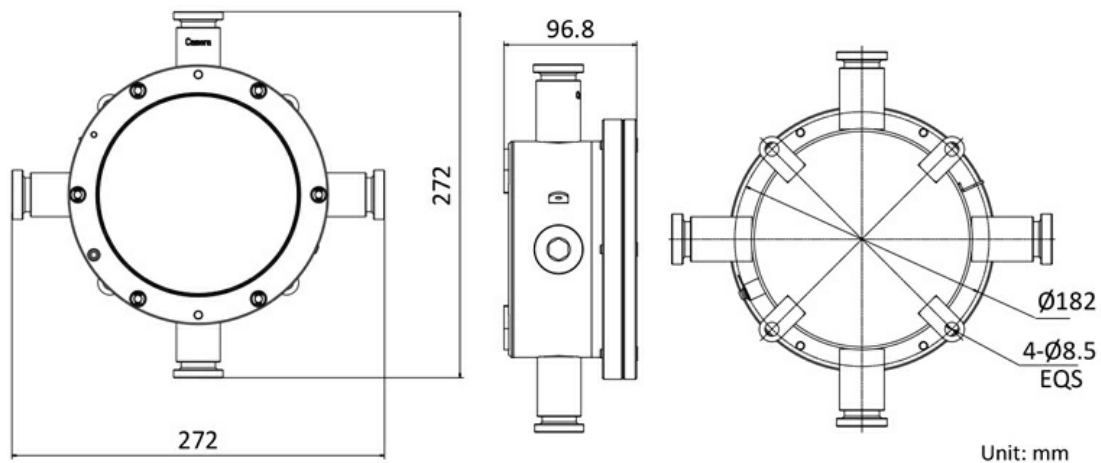
Explosion-Proof Terminal Box from Hikvision in stainless steel 316L with IP68 ingress protection.

Note

- ✓ Read the installation guide and abide by all mentioned instructions when install the terminal box.
- ✓ Make sure that the installation surface is strong enough to withstand eight times the weight of the device.

Technical Dimensions

Dimension



Specifications

SPECIFICATION

Weight	Approx. 6.4 kg (14.1 lb.)
Dimension	272 mm × 272 mm × 96.8 mm (10.7" × 10.7" × 3.8")
Description	Explosion-Proof Terminal Box
Cable Outlet	4 cable outlets, M25 × 1.5
Operating Conditions	-40°C to +60°C (-40°F to 140°F), 95%RH or less (non-condensing)
Hazardous Area	Zone 1, Zone 2, Zone 21, and Zone 22
Ingress Protection	IP68
Interface	110 to 240 VAC/24 VAC/8 to 36 VDC CVBS, RS-485 1 audio input, 1 audio output 2 alarm inputs and 2 alarm outputs RJ45 Ethernet interface (PoE 802.3 at/af supported)
Wire Gauge	No. 22 to No. 12 AWG, max. 3.294 mm ²
Applicable Device	Device that uses 110 to 240 VAC/24 VAC/8 to 36 VDC/PoE (802.3 at/af) as power supply

Used With



DS-2XE6422FWD-IZHRS

Explosion-Proof IP Bullet Camera, 2MP, w/ wiper

Item Number: 2310131016



DS-2XE6222F-IS/316L

EXIR Fixed Bullet Explosion Proof Network Camera

Item Number: 2310131014



DS-2DF6236-CX (W316L)

Explosion-Proof IP Camera, PTZ, 2MP, 1080p, IP68

Item Number: 2310131017



DS-2DY9236I-CWX (W316L)

2MP 36x IR Explosion Proof Positioning System

Item Number: 2310131023