

2310111123

## SST 316L Junction Box

Junction box for OC-series CCTV cameras DS-1284ZJ-M



- ✓ Stainless steel 316L material
- ✓ Compact design, beautiful appearance

---

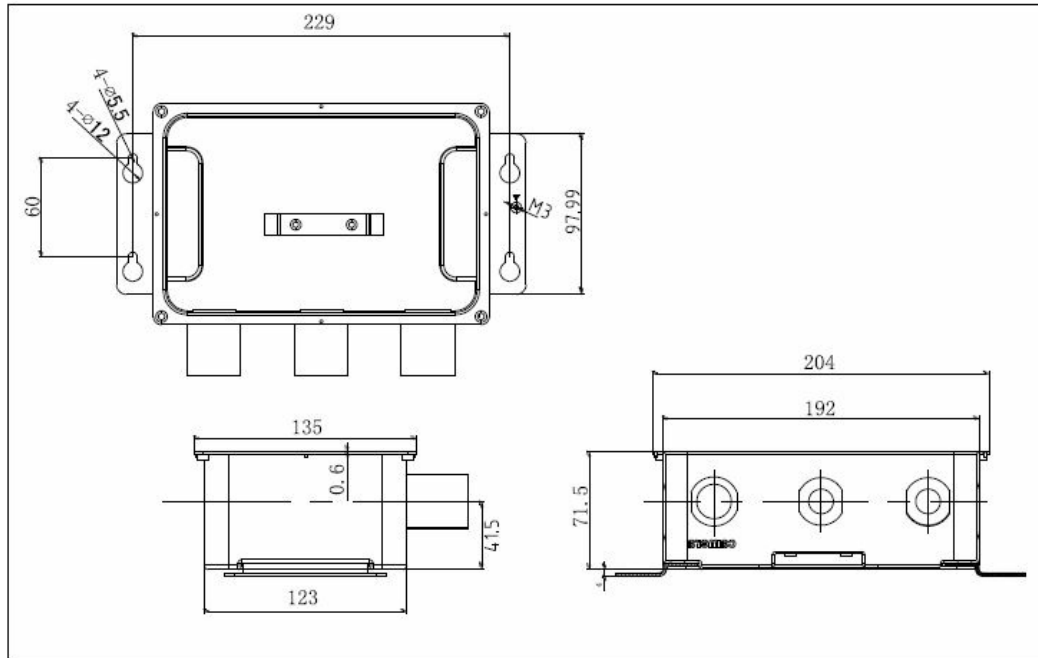
### Description

#### NOTICE

- ✓ The bracket should be installed on flat wall
- ✓ Waterproof rubber is necessary for outdoor application
- ✓ The wall must be capable of supporting over 3 times as much as the total weight of the camera and the mount.
- ✓ The maximum load capacity of the bracket is 3KG

### Technical Dimensions

# Dimensions:



# Specifications

## SPECIFICATION

Model	DS-1284ZJ-M
Model	Junction Box
Appearance	Stainless steel color
Application	Suitable for bullet and turret camera
Material	Stainless steel 316L
Dimension	229×210×135mm
Weight	1981g

## Used With



### OC-NDC-2MP

Outdoor IP Dome Camera,  
2MP, SST 316L



### DS-2TD2466-25Y thermal camera

Thermal imaging IP Camera



### DS-2CD6626DS-IZHS dome camera

Ultra Low-Light and ICR  
Day/Night Anti-Corrosion Dome  
Camera