

2310111130

## DS-1602ZJ- bracket with junction box

Wall mount bracket with junction box for indoor/outdoor use.



- ✓ Aluminum alloy material with surface spray treatment
- ✓ General design for indoor/outdoor
- ✓ Better water proof design
- ✓ With safety rope, the assembling is safer and more convenient

---

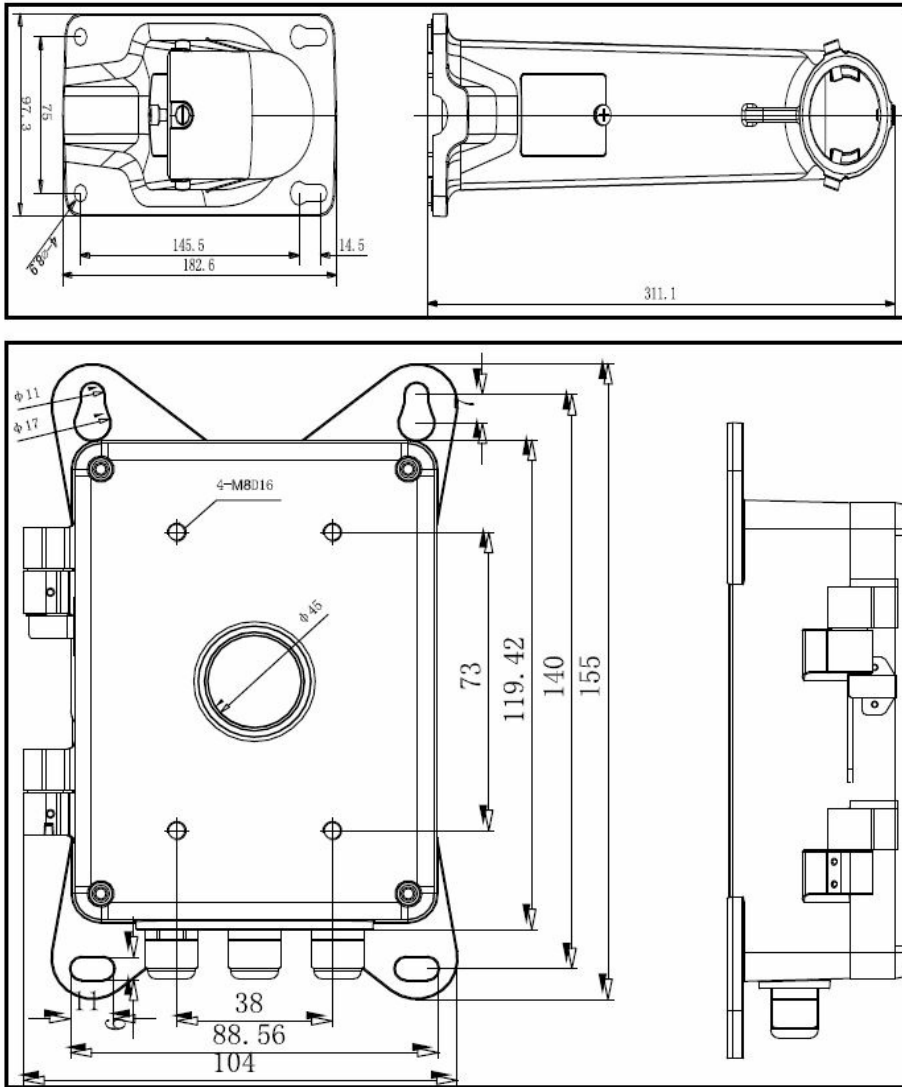
### Description

#### NOTICE

- ✓ The bracket should be installed on the flat surface of a wall
- ✓ The wall must be capable of supporting more than 3 times the total capacity of the camera and the bracket.

### Technical Dimensions

# Dimension:



# Specifications

## SPECIFICATION

Model	DS-1602ZJ-box
Model	Wall Mount Bracket In/Outdoor w/Junction Box
Color	Hik white
Feature	Suitable for speed dome pendent mounting
Material	Aluminum alloy
Dimension	396.5×209×310mm
Weight	3230g

## Used With



[DS-2DE4425IW-DED PTZ camera](#)

4MP 25x Network IR Speed Dome  
PTZ camera