

2310111158

## IC-NDC-JB-V2 Junction box

Junction box for IC-NDC Dome Cameras DS-1280ZJ-DM55



- ✓ Aluminum alloy with surface spray treatment
- ✓ With cable outlet(s)
- ✓ Applies to both indoor conditions, and outdoor conditions

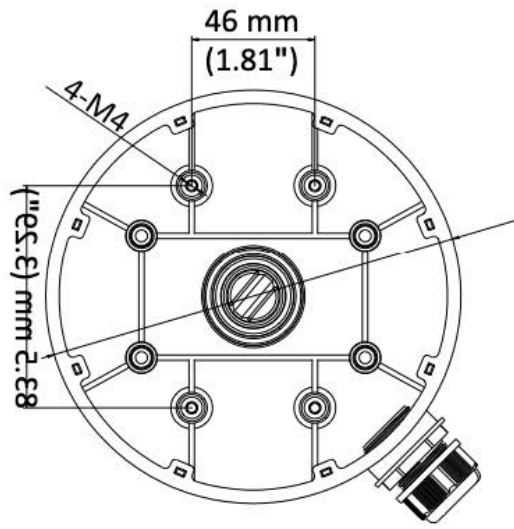
---

### Description

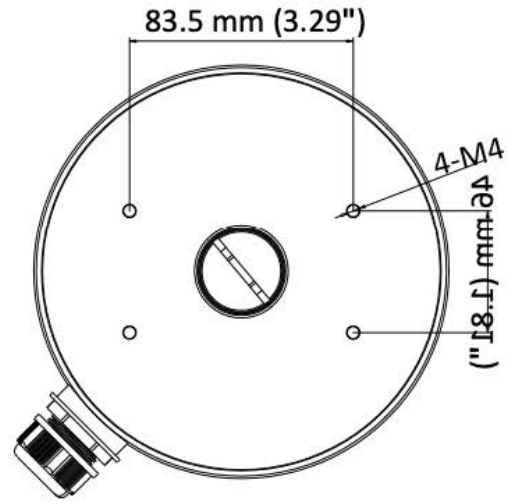
#### NOTICE

- ✓ The mount should be installed on the flat surface.
- ✓ Waterproof rubber is necessary for the outdoor application.
- ✓ The wall must be capable of supporting at least 3 times as much as the total weight of the camera, and the junction box.
- ✓ The maximum load capacity of the junction box is 2 kg (4.4 lb.).

### Technical Dimensions



36 mm (1.42")



# Specifications

## SPECIFICATION

Model	DS-1280ZJ-DM55
Model	Junction Box
Appearance	Hikvision White
Application	Suitable for dome camera
Material	Aluminum Alloy
Dimension	Φ 155 mm × 36 mm (Φ 6.1" × 1.42")
Weight	300 g (0.66 lb.)

## Used With



### IC-NDC-2MP-V2

2 MP Indoor WDR Motorized  
Varifocal Dome Network CCTV  
Camera