

2310111117

HT FBVF SeaHawk Bullet Varifocal

SeaHawk Fixed Bullet Varifocal, IP Camera



- ✓ PoE - Power over Ethernet
- ✓ Stream compression H265/H264
- ✓ Motion Detection
- ✓ No sharp edges
- ✓ Designed to meet IEC60945
- ✓ IP66/IP67
- ✓ Mounting Options: Ceiling/Wall
- ✓ Day/night mode
- ✓ Infrared LEDs 10 pcs

ONVIF ONVIF Conformant



Onboard communication



IP66



IP67



H.264

Description

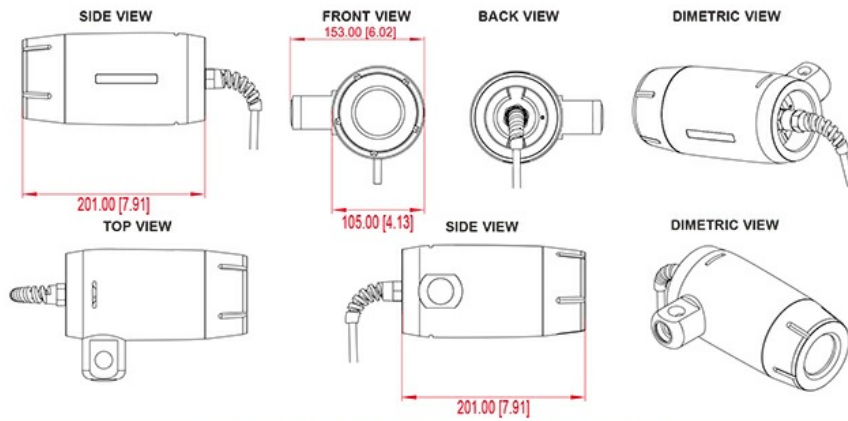
The new HATTELAND® SeaHawk range of network enabled Security & Surveillance Cameras suitable for Security applications (person / area) and Industrial applications (process monitoring).

HATTELAND® SeaHawk Fixed Bullet Varifocal IP Camera is the perfect IP camera solution with full HD resolution at 30fps. The camera housing is constructed in sturdy POM material. PoE - Power over Ethernet, Stream compression H265/H264, Motion Detection, No sharp edges.

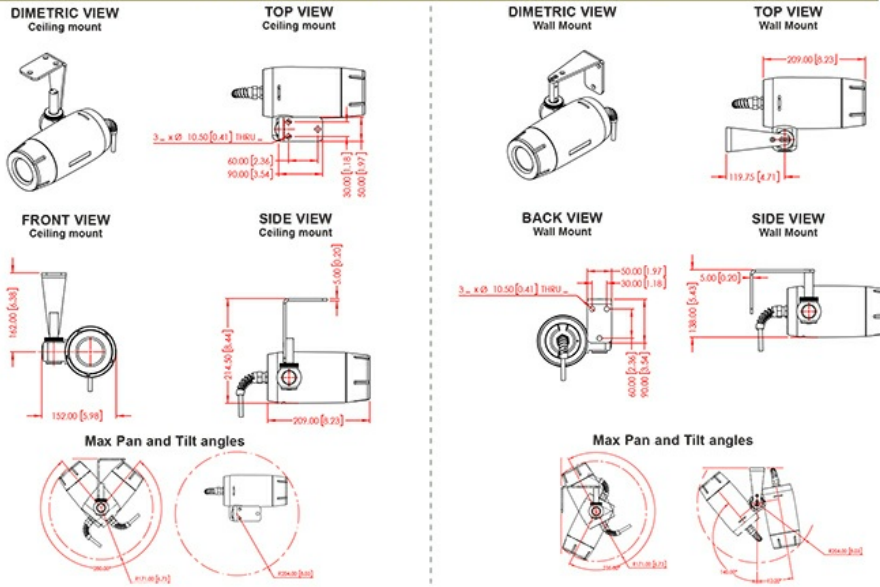
Available models:

- ✓ HT FBVF AA-X1 SeaHawk Fixed Bullet Varifocal POM Black RAL TBD

Technical Dimensions



With HT MB11-AA Note: Variant of model illustration shown below



Specifications

TECHNICAL SPECIFICATIONS:

Image Sensor	1/2.8" Progressive Scan CMOS
Lens Type	Auto DC Iris, Varifocal lens, IR cut filter
Zoom	2.5X (non-motorized zoom)
Focal Length	f=2.8mm ~ 12mm
Maximum Aperture Ratio	F1.4
Angle of View	Wide: H: 103°, V: 74.4° // Tele: H: 30.8°, V: 23.3°
Electronic Shutter View	1 ~ 1/30 sec (B/W), 1/24 ~ 1/1000 sec (color)
Flip Mode	Horizontal, Vertical
Image Enhancement	AF, AWB, AE, NR, TDN, DSS, BLC, GAMMA, DPC, DEFOG, WDR

VIDEO SPECIFICATIONS:

Compression	H265 / H264 / MJPEG
Frame Rate	Max 30fps @ 1920 x 1080
Bitrate	Primary: 32Kbps ~ 16Mbps // Secondary: 32Kbps ~ 4Mbps
Resolutions	352 x 240 ~ 1920 x 1080
Streaming	Primary: H265 / H264 // Secondary: H265 / H264 / MJPEG
Burn-in OSD	Multi-lingual

NETWORK SPECIFICATIONS:

Interface	1 x Ethernet 10/100base-T (RJ-45)
Protocol	IPv4/v6, TCP, UDP, IGMP (MULTICAST), ICMP, DHCP, HTTP, HTTPS, RTP, RTPS, FTP, SNMP, UPnP, WS-Discovery, Zero-configuration, NTP, DDNS
Security	Password protection, IP address filtering, HTTPS encryption
API	ONVIF, PSIA, MPEG-TS

EVENT AND GENERAL SPECIFICATIONS:

Event Sources	Motion, Sensor Input, Client disconnection
Event Actions	Notification (E-mail), FTP, Alarm control, Recording
Housing	POM (Polyoxymetylen), RAL 5012 (ring)
Certification	Designed to meet IEC60945, IP66/IP67
Power Supply	PoE: 802.3af via RJ-45
Power Consumption	12W (max)
Operating Temperature	-40°C to +65°C

PHYSICAL SPECIFICATIONS:

Dimensions	W:153.00 [6.02"] x H:105.00 [4.13"] x D:201.00 [7.91"] mm [inch]
Weight	1.9kg / 4.19lbs
Pigtail Cable	2.5 [8.20] m [ft], Cat5e STP, RJ-45 terminated