



2310111096

## NX-PTZ-HD11-VW0Z00C Delux IP PTZ

NXPTZ Series 2 Delux IP PTZ, 1080p, wiper, 230V, IP68



- ✓ Stainless steel network PTZ camera
- ✓ Maximum resistance in corrosive environments
- ✓ Integrated video analysis available, VIDEOTEC ANALYTICS
- ✓ Junction box with integrated SFP slot to allow fiber optic connection
- ✓ EN60945 compatibility
- ✓ Lloyds Register Marine Type Approval
- ✓ Salty fog resistance: EN60068-2-52
- ✓ IP66-69

ONVIF ONVIF Conformant  IP66  IP67

## Description

The new generation NXPTZ SERIES2 with Super low-light camera and DELUX technology offers a high level of protection in security applications in highly corrosive environments, such as industrial and marine offshore/onshore areas. The NXPTZ SERIES2 is resistant to rust and corrosion and does not require maintenance thanks to the absolute precision of the construction process and the solid AISI 316L stainless steel construction with micro-shot and electropolished surfaces.

### CERTIFIED QUALITY

A huge number of tests of all types are carried out on products so that they comply with the strict requirements of the quality standards. The results leave no doubt about the exceptional robustness, undeniable reliability and unrivalled performance of NXPTZ Series 2 range. IP66/IP67/IP68 certification guarantees complete protection against weather and water immersion. In addition, the IP69 certification means the product can be cleaned with high pressure and high temperature water. The wiper is supplied as standard, for optimum cleaning of the front glass. NXPTZ SERIES2 operates at maximum efficiency between -40°C and +65°C.

### INSTALLATION FLEXIBILITY

Compared to the previous generation, the SERIES2 range cameras have the possibility of easily connecting the PTZ using fibre optic thanks to the slot of the SFP module installed directly at the bottom of the unit and on installation of the specific accessory NXPTZSFP which provides a cable input on the product dedicated to fibre optic.

There are numerous accessories available including a washing system, and wall, parapet, corner and pole supports that mean installation is extremely flexible. As well as this, the compact design means it can be installed in the tightest spaces, while the unit's reduced weight makes assembly simple.

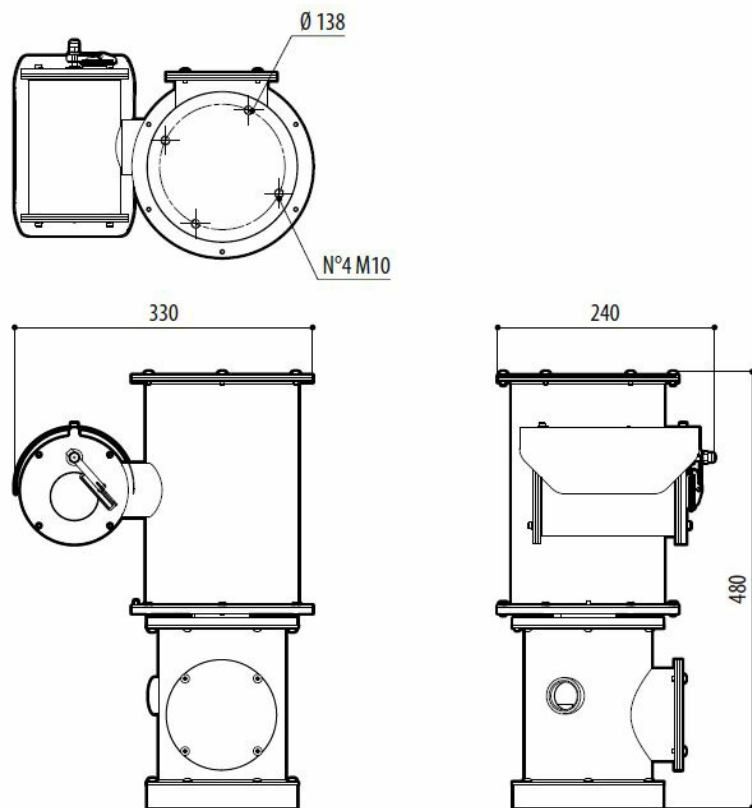
### DELUX TECHNOLOGY - HIGH QUALITY IMAGE

The super low-light Full HD 1080p camera with 30x optical zoom and DELUX technology is unbeatable when it comes to its exceptional brightness and video in sharp detail and vivid colours, even in low-light condition of up to 0.006 lux (0.0006 lux in black and white). Thanks to a 60 fps shooting speed, it can accurately identify any details in a scene, even with dynamic and rapid changes. This is a particularly advantageous feature when monitoring external sensitive areas where people, objects, vehicles in motion and anomalous events may need to be identified at any time, day or

## Technical Dimensions

### TECHNICAL DRAWINGS

*The indicated measurements are expressed in millimetres.*



NXPTZ SERIES2

# Specifications

## DESCRIPTION

Supply voltage/Current consumption	30Vac, 0.5A max, 50/60Hz
Power consumption	120W max
Ethernet connection	RJ45 100 Base-TX
Device configuration	TCP/IPv4-IPv6, UDP/IPv4-IPv6, HTTP, HTTPS, NTP, DHCP, WS-DISCOVERY, DSCP, IGMP (Multicast), SOAP, DNS
Video compression	H.264/AVC, MJPEG, JPEG, MPEG4
Video streams	3 independent video streams Full HD
Image resolution	From 320x180pixel to 1920x1080pixel in 6 steps
Selectable frame rate	From 1 to 60 images per second (fps)
I/O alarm board	Alarm inputs: 1; Relay outputs: 1 (1A, 30Vac/60Vdc max)
Resolution	Full HD 1080p (1920x1080pixel)
Image Device	1/2.8" Exmor™ R CMOS sensor
Effective Pixels	Approx. 2.38 Megapixels
Minimum Illumination	• Colour: 0.006lx (F1.6, 30 IRE) • B/W: 0.0006lx (F1.6, 30 IRE)
Focal length	From 4.5mm (wide) to 135mm (tele)
Zoom	30x (480x with digital zoom)
Iris	from F1.6 up to F9.6 (Auto, Manual)
Horizontal Viewing Angle	From 61.6° (wide end) to 2.50° (tele end)
Vertical Viewing Angle	From 37.07° (wide end) to 1.44° (tele end)
Shutter speed	From 1/1s to 1/10000s (Auto, Manual)
Gain	from 0dB up to 100dB (Auto, Manual)
Wide Dynamic Range	120dB
Operating temperature	Continuous working: from -40°C (-40°F) up to +65°C (149°F)
Relative humidity	from 5% up to 95%
Weight	22kg



## EMC Filter FM1010

EMC filter for Marine certification