

2310111067

QND-7080R dome camera

4MP H.265 NW IR Dome Camera



- ✓ Max. 4megapixel resolution
- ✓ 2.8 ~ 12mm (4.3x) motorized varifocal lens
- ✓ Max. 20fps@4M, Max.30fps@2M all resolutions
- ✓ H.265, H.264, MJPEG codec supported
- ✓ Day & Night (ICR), WDR (120dB)
- ✓ Motion detection, Tampering, Defocus detection
- ✓ micro SD/SDHC/SDXC memory slot (Max. 128GB), PoE / 12V DC
- ✓ IR viewable length 20m
- ✓ Hallway view support
- ✓ LDC support (Lens distortion correction)

Description

The QND-7080R from Hanwha's Q Series is an affordable 4MP network dome camera featuring WiseStream, Hanwha's compression technology, triple codec H.265/H.264/MJPEG, 2.8 ~ 12.0mm motorized varifocal lens, IR, PoE/12VDC, 120dB True WDR, Defocus Detection, Hallway View, one-way audio and SD card slot (SD/SDHC/SDXC up to 128GB).

Improved bandwidth efficiency with WiseStream, H.265

WiseStream, the advanced compression technology can reduce bandwidth by 50% by using dynamic technologies. And when combined with H.265, the bandwidth efficiency can be improved up to 75% compared to the current H.264 technology.

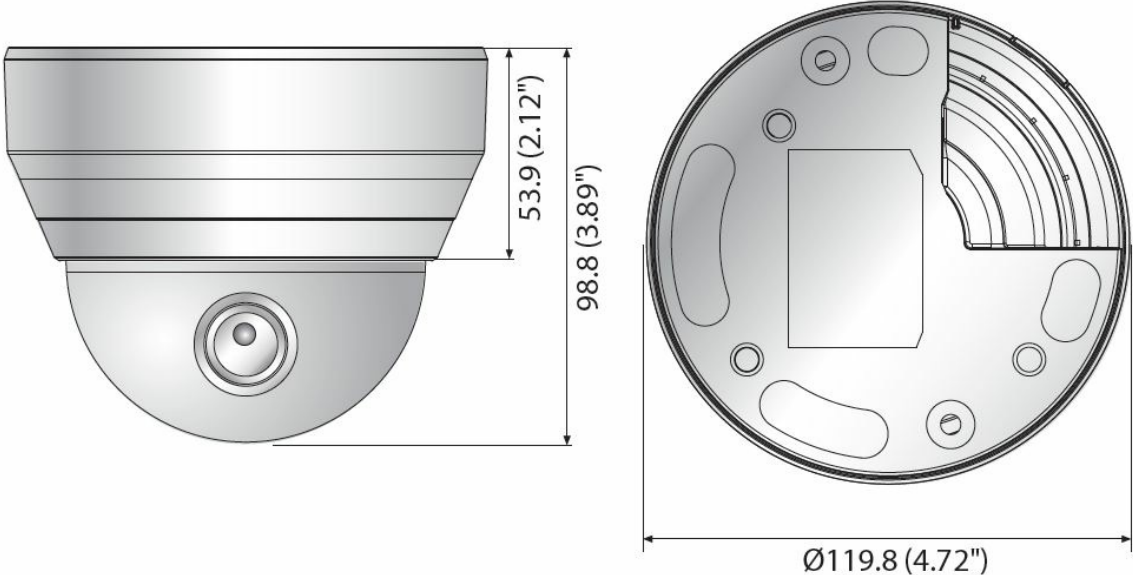
Minimize image distortion by Lens Distortion Correction

Lens Distortion is typically shown in video on the straight lines near to edges of a image making the straight lines look curved outward. With Lens Distortion Correction technology imperfections in images are easily removed.

Technical Dimensions

Dimensions

Unit : mm (inch)



Specifications

VIDEO

Imaging Device	1/3" 4M CMOS
Total Pixels	2,720(H) x 1,536(V)
Effective Pixels	2,688(H) x 1,520(V)
Scanning System	Progressive
Min. Illumination	Color : 0.15Lux (30IRE), B/W : 0Lux (IR LED on)
S / N Ratio	50dB

LENS

Focal Length (Zoom Ratio)	2.8 ~ 12mm (4.3x) motorized varifocal
Max. Aperture Ratio	F1.4
Angular Field of View	H : 109.7° ~ 26.0° / V : 60.8° ~ 15.2° / D : 131.3° ~ 30.1°
Focus Control	Simple focus (Motorized V/F) / Manual, Remote control via network
Lens Type	DC auto iris
Mount Type	Board type
Pan / Tilt / Rotate Range	0° ~ 350° / 0° ~ 67° / 0° ~ 355°

OPERATIONAL

IR Viewable Length	20m (65.62ft)
Camera Title	Off / On (Displayed up to 20 characters per line)
	W/W : English / Numeric / Special characters
	Common : Multi-line (Max. 5), Color (Grey / Green / Red / Blue / Black / White), Transparency, Auto scale by resolution
Day & Night	True Day & Night
Backlight Compensation	Off / BLC / WDR

Wide Dynamic Range	120dB
Digital Noise Reduction	SSNR (Off / On)
Motion Detection	Off / On (4ea polygonal zones)
Privacy Masking	Off / On (6ea rectangular zones)
Gain Control	Off / Low / Middle / High
White Balance	ATW / AWC / Manual / Indoor / Outdoor
LDC (Lens distortion correction)	Off / On (5 levels with min / max)
Electronic Shutter Speed	Minimum / Maximum / Anti flicker
Flip / Mirror	Flip / Mirror / Hallway view
Intelligent Video Analytics	Motion detection with metadata, Tampering, Defocus detection
Alarm I/O	Input 1 / Output 1
Alarm Triggers	Motion detection, Tampering detection, SD card error, NAS error, Alarm input, Defocus detection
Alarm Events	File upload via FTP and E-mail, Local storage recording at event, Notification via E-mail, External output
Pixel Counter	Support (Plug-in viewer only)

NETWORK

Ethernet	RJ-45 (10/100BASE-T)
Video Compression Format	H.265, H.264, MJPEG
Resolution	2592 x 1520, 2560 x 1440 (16 : 9), 2304 x 1296, 1920 x 1080, 1280 x 1024, 1280 x 960, 1280 x 720, 1024 x 768, 800 x 600, 800 x 448, 720 x 576, 720 x 480, 640 x 480, 640 x 360, 320 x 240
Max. Framerate	H.265/H.264 : Max. 20fps at 4M, Max. 30fps at 2M all resolutions, MJPEG : Max. 15fps

Smart Codec	WiseStream
Video Quality Adjustment	H.265/H.264 : Target bitrate level control, MJPEG : Quality level control
Bitrate Control Method	H.265/H.264 : CBR or VBR, MJPEG : VBR
Streaming Capability	Multiple streaming (Up to 3 profiles)
Audio In	Selectable (Built-in microphone), Supported voltage: 2.5VDC (4mA), Input impedance: 2K Ohm
Audio Compression Format	G.711 u-law / G.726 selectable // G.726 (ADPCM) 8KHz, G.711 8KHz, G.726 : 16Kbps, 24Kbps, 32Kbps, 40Kbps
Audio Communication	Uni-directional audio
IP	IPv4, IPv6
Protocol	TCP/IP, UDP/IP, RTP(UDP), RTP(TCP), RTCP, RTSP, NTP, HTTP, HTTPS, SSL/TLS, DHCP, PPPoE, FTP, SMTP, ICMP, IGMP, SNMPv1/v2c/v3(MIB-2), ARP, DNS, DDNS, QoS, PIM-SM, UPnP, Bonjour
Security	HTTPS(SSL) login authentication, Digest login authentication IP address filtering, User access log, 802.1x authentication
Streaming Method	Unicast / Multicast
Max. User Access	6 users at unicast mode
Storage	micro SD/SDHC/SDXC (Max. 128GB), NAS
	- Motion images recorded in the SD memory card can be downloaded
	- Manual recording at local PC
Application Programming Interface	ONVIF Profile S/G, SUNAPI (HTTP API)
	English, Korean, Chinese, French, Italian, Spanish

Webpage Language	French, Italian, Spanish, German, Japanese, Russian, Swedish, Portuguese, Czech, Polish, Turkish, Dutch, Hungary, Greek
Web Viewer	Supported OS : Windows 7, 8.1, 10, Mac OS X 10.9, 10.10, 10.11 // Plug-in free Webviewer - Supported Browser : Google Chrome 47, MS Edge 20
	Plug-in Webviewer - Supported Browser : MS Explore 11, Mozilla Firefox 43, Apple Safari 9 * Mac OS X only

ENVIRONMENTAL

Operating Temperature / Humidity: -10°C ~ +55°C (+14°F ~ +131°F) / Less than 90% RH

Storage Temperature / Humidity: -30°C ~ +60°C (-22°F ~ +140°F) / Less than 90% RH

ELECTRICAL

Input Voltage / Current:
PoE (IEEE802.3af, Class3)
/ 12V DC

Power Consumption: Max.
7.2W (PoE), Max. 6.4W
(12V DC)

MECHANICAL

Color / Material: Ivory / Plastic

Dimensions (WxH): Ø119.8 x 98.8mm (Ø4.72" x 3.89")

Weight: 355g (0.78 lb)