

2310111121

## DS-1703ZJ Wall bracket

Anti-Corrosion Wall Mounting Bracket for Dome Camera



- ✓ wall bracket
- ✓ Stainless steel material
- ✓ Anti-corrosion design
- ✓ Design of cap is for convenient wiring

---

## Description

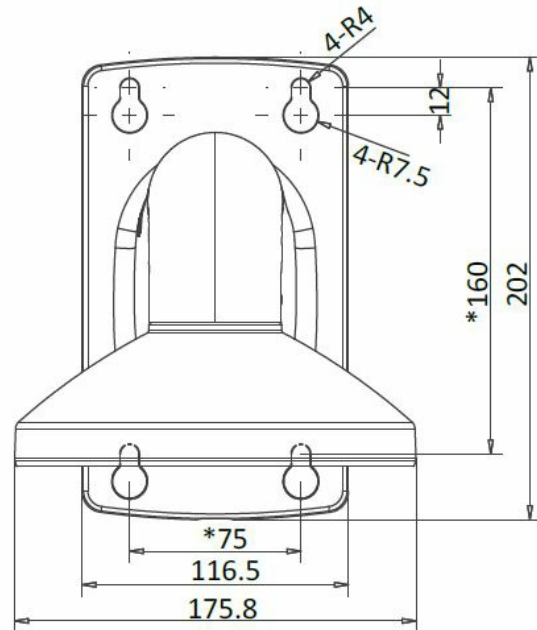
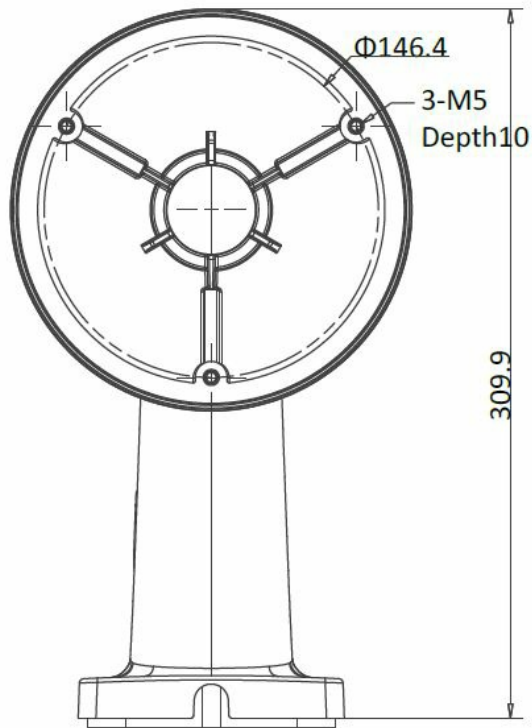
Wall mount bracket in stainless steel for dome cameras

### Notes

- ✓ The bracket should be installed on flat wall.
- ✓ Waterproof rubber is necessary for outdoor application.
- ✓ The wall must be capable of supporting over 3 times as much as the total weight of the camera and the mount.
- ✓ The maximum load capacity of the bracket is 5KG.

## Technical Dimensions

# Dimension



# Specifications

## DETAILS

---

Model: DS-1703ZJ

---

Parameters: Anti-Corrosion  
Wall Mounting Bracket for  
Dome Camera

---

Appearance: Unpainted  
Stainless Steel

---

Material: Stainless Steel

---

Dimension:  
202x175.8x309.9mm

---

Weight: 3330g

---

## Used With



DS-2CD6626DS-IZHS

dome camera

Ultra Low-Light and ICR  
Day/Night Anti-Corrosion Dome  
Camera