

1023302340

ELSII-10PM

Network Projector Speaker, 10W, Bi-Directional, Ethernet



- ✓ Zenitel Audio Presence - crystal clear audio
- ✓ 10W Class D, built-in amplifier
- ✓ Dust and water tight – IP 65
- ✓ 97 dB SPL (1m)
- ✓ Ideal for Micro Zone PA and systems that require a limited number of speakers
- ✓ Each speaker is individually addressable and monitored
- ✓ ONVIF Compatible
- ✓ Ideal for speakers installed in remote locations, e.g. roads and railways
- ✓ Remote software upgrade and configuration
- ✓ Relay output for remote control, e.g. doors, signal lamps, gates
- ✓ Powered from the IP network cable using Power over Ethernet (PoE)
- ✓ Ideal for Building Security, Infrastructure and Industrial projects



SIP


 IC-EDGE

IC-Edge



ICX-AlphaCom



Exigo Audio



Automatic Volume



HD Voice



Automatic Gain Control Network

Description

This Zenitel IP Projector speaker features two 130mm full-range loudspeakers driven by a 10W Class D amplifier, powered over PoE. This means that the speaker is capable of delivering upto 97 dB, depending on the signal input. the Bi-directional speaker design allows for a balance between the directivity of a horn speaker, and the visual considerations of a cabinet speaker. This speaker is ideal for installation on walls or at ceiling level for audio along corridors, walkways, air-bridges and platforms.

With networked audio devices the system is able to monitor and address each speaker individually. By moving the amplifier from a central unit out to the speaker itself, the need for a central amplifier unit with conventional speaker loops is eliminated. This makes the system highly scalable, and adding another speaker is easy to do.

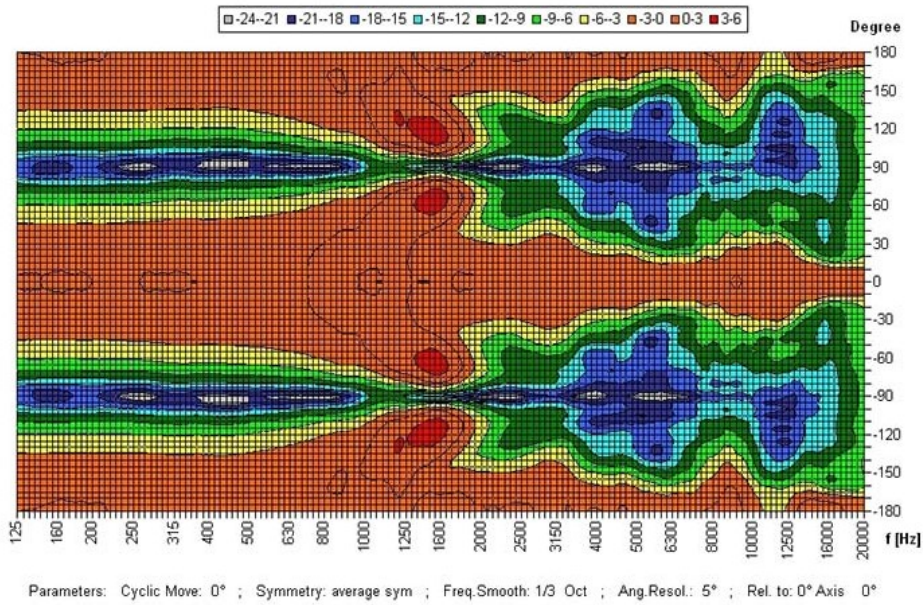
Whilst conventional speaker loops are not used, the speakers can still be divided into groups. These zones can now extend over networks or span the Internet. To provide maximum availability, the speaker comes with advanced supervision functions.

The built-in microphone enables intelligent features such as Self-checking, and Automatic Volume Control. It also enhances what is traditionally a broadcast-only medium adding Half Duplex speech, and Ambient Listen functions. Self-checking will detect whether there are any faults in the network or speaker electronics. The status of the speaker is reported to the central unit as well as to 3rd-party management systems using SNMP or Syslog. The speakers can also be discovered, receive messages, and use Talkback direct to a VMS over ONVIF.

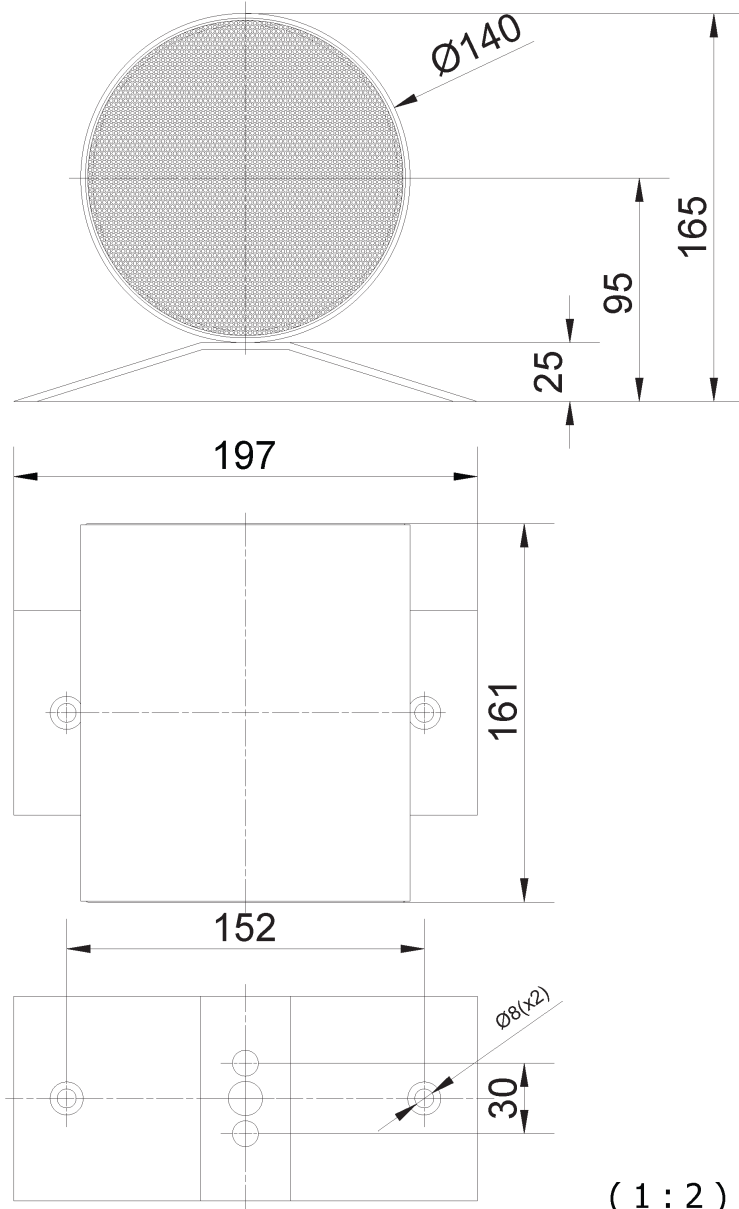
The speaker has a built-in web interface for status information, control, and upgrade. It is easy to install and maintain. In addition, there are possibilities where broadcasts can be logged in detailed reports.

Polar Plot:

Copyright by Four-Audio GmbH & Co KG Licensed to AAC

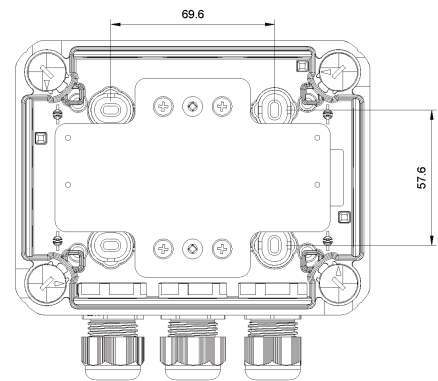
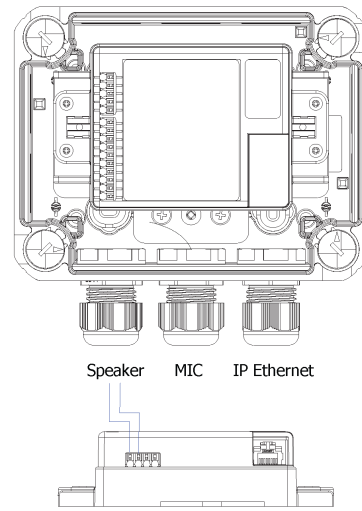


Technical Dimensions



(1 : 2)

Junction Box Dimensions:
150 X 116 X 67 mm



Specifications

GENERAL

Max. sound pressure level at 1 meter	97 dB
Dispersion (-6dB) 1kHz / 4kHz	2 x 130°/ 2x 75°
Codecs	G.711, G.722
Frequency range, G.722 Codec	200 Hz – 7000 Hz
Frequency range (speaker driver)	237-12.400 Hz
Internal speaker amplifier	10 W class D
Mounting	Built in, supporting wall and ceiling mounting
Weight	2,35 kg / 5 lbs
Material / Color	Aluminium / RAL 9010

ENVIRONMENT AND COMPLIANCES

Operating temperature range	-40° to 70° C / -40° to 158 ° F
Storage temperature range	-40° to 70° C / -40° to 158 ° F
Relative humidity	< 95% not condensing
EMC	CE and FCC Part 15

HARDWARE

Ethernet connector	1 x RJ 45
All other connectors	Tool less, spring loaded, vibration proof terminals
General inputs and outputs	6 (configurable)
Outputs	12mA as LED drivers
Power options	PoE
PoE (power over Ethernet)	IEEE 802.3af standard, Class 0 (0.44W to 12.95 W)
Power consumption	Idle 1.8W, max 12W (depending on volume)
Audio line out / induction loop signal	600 Ohm

NETWORKING AND PROTOCOLS

Protocols	IPv4 (with DiffServ), SIP, TCP, UDP, Unicast, Multicast, HTTPS, TFTP, FTP, RTP, DHCP, SNMPv2c, ONVIF, CoIP®, NTP
LAN protocols	Power over Ethernet (IEEE 802.3 a-f) Network Access Control (IEEE 802.1x)
Management and operation	HTTP/HTTPS (Web configuration) DHCP and static IP + IC-EDGE™. Remote automatic software upgrade. Centralized monitoring
Advanced supervision functions	E.g. network test, tone test, status reports, uptime
SIP support	RFC 3261 (SIP base standard), RFC 3515 (SIP refer), RFC 2976 (SIP info), Multicast streaming
DTMF support	RFC 2833, 2976 (SIP info)

OTHER SPECIFICATIONS

IP address information	Speaks IP address after system boot
Country of manufacture	Poland
Speaker Dimensions (WxHxD)	176 x 201 x160 mm
Junction Box Dimensions (WxLxD)	116 x 150 x 67 mm
Weight	2,35 kg / 5 lbs
Encapsulation material	Aluminium
DIN-rail clips	Wago 209 (included)
Boxed Shipping Weight	2.7 Kg
Boxed Shipping dimensions	180x250x170mm

Accessories



EMCG-1

Microphone for Network
Loudspeakers