

2131000140

CLMQ-200-FD

Fire Dome for CLMQ-200T

Steel Back box / Fire Dome for loudspeaker to reduce fire risk and spread

Including 2xM20 glands

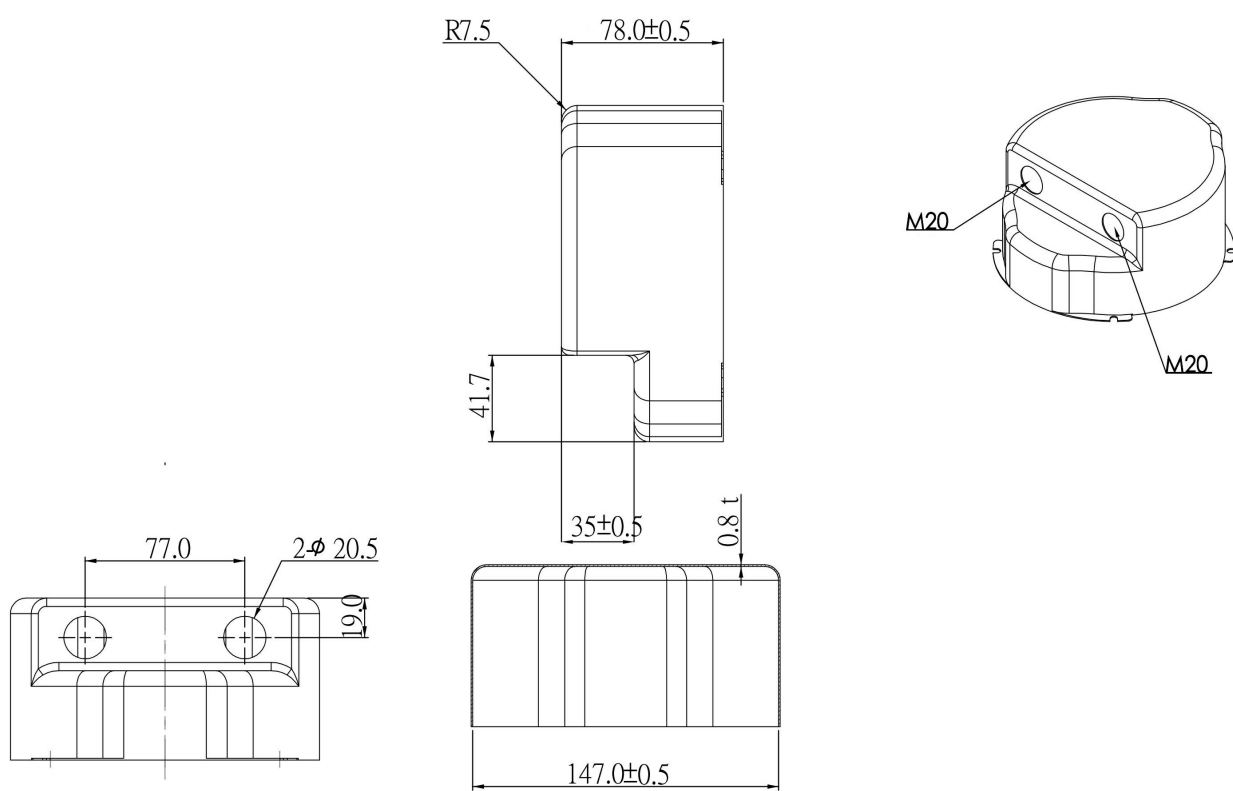
Including mounting screws



Description

Fire dome for loudspeaker CLMQ-200T.

Technical Dimensions



Specifications

GENERAL

Dimensions (Diameter x Depth)	Ø 147mm x 78mm
Mounting	Back box for loudspeaker CLMQ-200T
Material	Steel
Color	White
Glands	2xM20

Used With



CLMQ-200T

6" Ceiling speaker, high sound quality, 100V, 6W