

2310111126

## OC-PTZ-WB Wall Mount Bracket

Anticorrosive wall mount bracket for OC-PTZ-2MP CCTV Camera.



- ✓ Stainless steel 316L material
- ✓ Anti-corrosion design for adverse environment
- ✓ Design of safety rope for more convenient installation

---

### Description

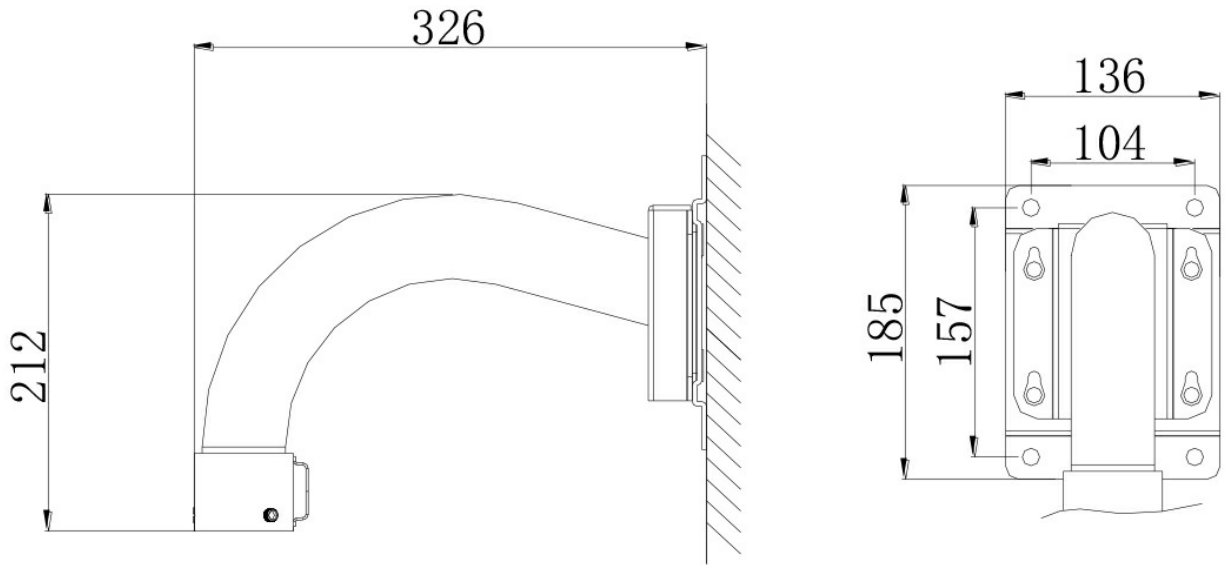
Wall mount bracket in stainless steel for OC PTZ Outdoor IP CCTV Camera.

### Notes

- ✓ The bracket should be installed on flat wall
- ✓ Load capacity of pole should be more than 3 times the weight of camera and bracket
- ✓ Load capacity of clamp is 15KG

### Technical Dimensions

# Dimension:



# Specifications

## DETAILS

---

Model: DS-1697ZJ

---

Parameters: Anticorrosive wall  
Mounting Bracket

---

Range of application: For  
speed dome wall mounting

---

Material: Stainless steel 316L

---

Dimension: 104×212×326mm

---

Weight: 2300g

---

## Used With



### OC-PTZ-2MP

Outdoor IP Camera, PTZ, 2MP,  
SST 316L, Hi-PoE&24VAC