



2340220003

L-101-24Y

Xenon Strobes 24VDC, IP66, Yellow

Also available in other colors:

- ✓ 2340220000 : L-101-24R Xenon Strobe, 20-28V DC , IP-66 Red
- ✓ 2340220002 : L-101-24A Xenon Strobe, 20-28V DC, IP-66 Amber
- ✓ 2340220003 : L-101-24Y Xenon Strobe, 20-28V DC , IP -66 Yellow
- ✓ 2340220004 : L-101-24G Xenon Strobe, 20-28V DC , IP-66 Green
- ✓ 2340220005 : L-101-24B Xenon Strobe, 20-28V DC , IP -66 Blue
- ✓ 2340220006 : L-101-24C Xenon Strobe, 20-28V DC , IP -66 Clear

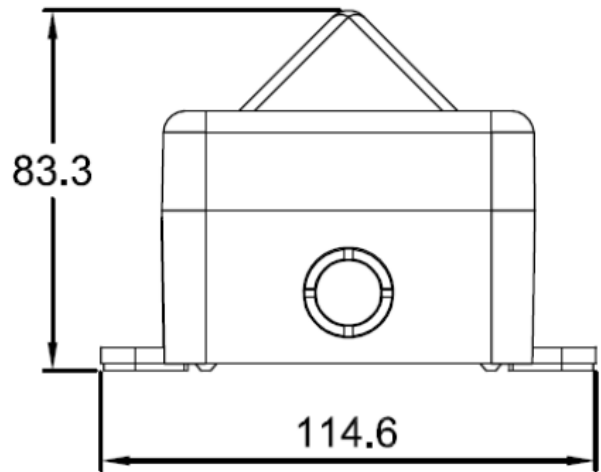
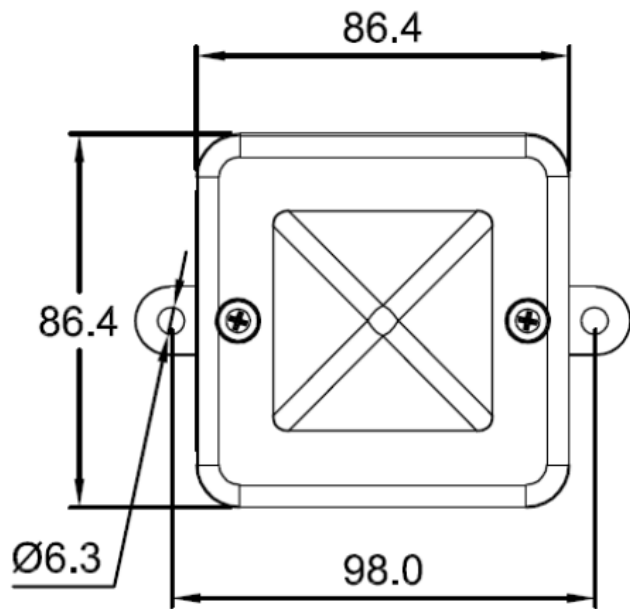
 IP66

Description

- ✓ Pluggable terminals.
- ✓ In and out terminals.
- ✓ Multiple, user selectable flash rates.
- ✓ User replaceable Xenon tube lamp.
- ✓ Can be stacked to create multi-signal units.

The L-101-24Y is a compact, robust 5 Joule Xenon strobe beacon ideal for all general signalling applications including fire, security and process control.

Technical Dimensions



Specifications

GENERAL

Dimension (HxWxD) (mm)	86 x 86 x 83
Weight	0.20 kg
Energy	5 Joules (5Ws)
Flash rate	1Hz (60 fpm)
Terminals	0.5 to 4 mm ² cables
Lens Colours	Red, Amber, Yellow, Green, Blue, Clear
Tube life	70% after 8 million flashes
IP	IP-66
Operative temperature	-25 °C to +55 °C
Relative humidity	90% at 20 °C

VERSION:	VOLTAGE RANGE:	CURRENT MA:
24 VDC	20-28 V	250mA / 300mA

ITEM NUMBER	DESCRIPTION
2340220000	L-101-24R Xenon Strobe, 20-28V DC , IP-66 Red
2340220002	L-101-24A Xenon Strobe, 20-28V DC, IP-66 Amber
2340220003	L-101-24Y Xenon Strobe, 20-28V DC , IP -66 Yellow
2340220004	L-101-24G Xenon Strobe, 20-28V DC , IP-66 Green
2340220005	L-101-24B Xenon Strobe, 20-28V DC , IP -66 Blue
2340220006	L-101-24C Xenon Strobe, 20-28V DC , IP -66 Clear

ACCESSORIES

9021903001	Spare Lens for Beacon L101, Green
------------	--------------------------------------