

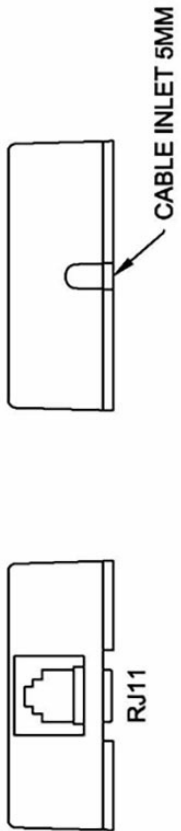
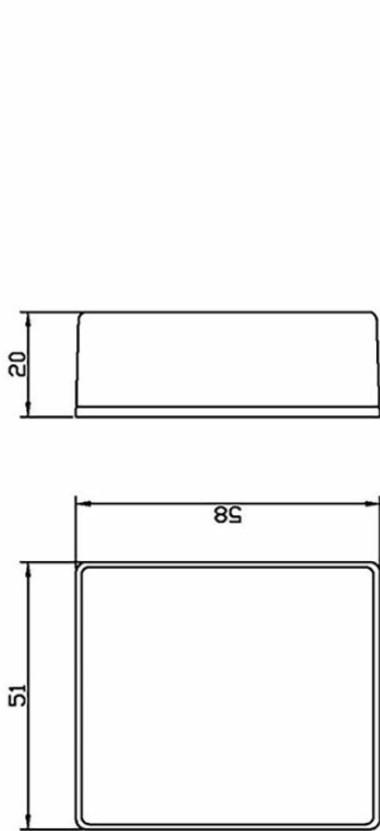
3005000034

PT-625A

4-50 Jack Surface RJ11

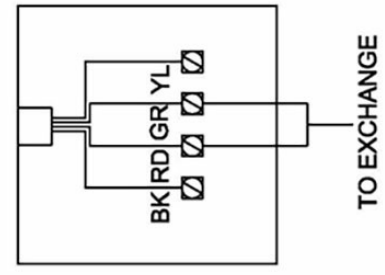
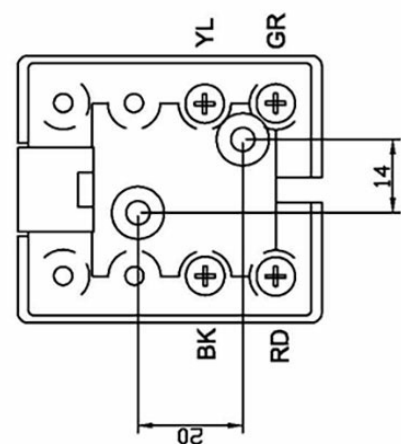


Technical Dimensions



BK= BLACK
 RD= RED
 GR= GREEN
 YL= YELLOW

MODULAR OUTLET RJ11
 TO ANALOGUE TELEPHONE
 WITH RJ11 OR RJ12 PLUG



Specifications

GENERAL

Material	Plastic
Connections	Screw terminal
Dimensions (WXHxD)	51 x 20 x 58 mm
Protection	IP-20