



2809016038

Emergency Communication Wall Unit with Turbine Cut-Out

1603 Economy Wall Unit Slim

This product is only available in the Americas

Emergency points

Description

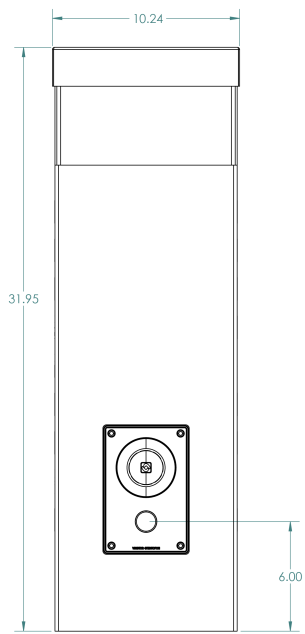
- ✓ Attention-getting LED Blue Light is included and mounted inside a polycarbonate housing. The LED Blue Light is continuously lit and flashes for duration of a call when "EMERGENCY" button is pressed to draw attention to a unit.
- ✓ Vandal-resistant, marine grade, 316 stainless-steel construction
- ✓ Designed to resist extreme weather conditions
- ✓ A variety of signage, graphics, and color choices are available
- ✓ ADA-compliant

The emergency/security wall unit is a high visibility, vandal resistant, stainless steel unit designed for use with the Zenitel Emergency/Security Stations. The Emergency/Security Wall Unit can be painted in blue, red, and yellow as required.

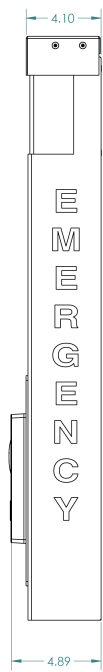
The wall unit is ideal for use in parking facilities, college campuses, medical centers, and multi-building complexes. The wall unit has an integrated blue light encased in Lexan. The blue light is always lit, calling attention to the location of the emergency communication unit. When the intercom station is activated, the light flashes at 78 fpm. The light flashes until either actively terminated by the personnel receiving the call or automatically upon termination of the call itself.

The wall mount is made of a vandal resistant, 12-gauge vertical brushed stainless steel, designed to withstand prolonged exposure to harsh environments.

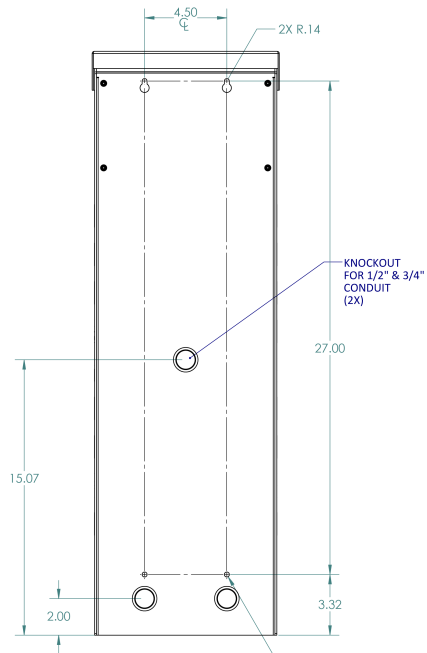
Technical Dimensions



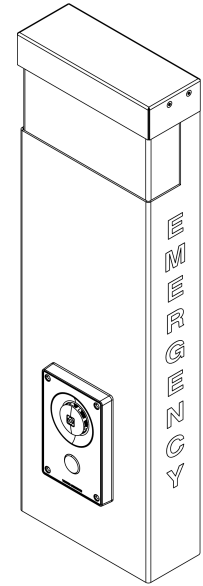
FRONT VIEW



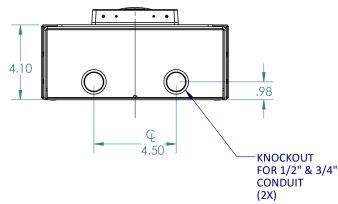
SIDE VIEW



REAR VIEW



ISOMETRIC VIEW



BOTTOM VIEW

Specifications

Dimensions	10 x 32 x 4 in. (253 x 810 x 101 mm)
Mount Weight	23 lbs. (10.4 kg)
Construction	Brushed marine grade (316) stainless steel with impact- and UV-resistant polycarbonate lens.
Lighting	LED Blue Light: 78 flashes per minute, 70% of initial lumens after 50,000 hours of operation.
Lettering	2 in. high reflective red "EMERGENCY" lettering with wide-angle visibility is standard. Also available as "ASSISTANCE", "INFORMATION", or custom lettering, colors and graphics.
Mounting	Mounts to wall or straps to pole or kiosk. Contact Zenitel for necessary items for pole mounting.
Colors	Brushed stainless steel is standard. Available painted in custom colors
Power	LED Blue Light: 120VAC, 7.8 Watts, 35A peak inrush.

Used With



TCIS-2 | Audio Intercom

IP and SIP Intercom

Item Number: 1008111020



TCIS-C1 | Audio Intercom

IP and SIP Intercom

Item Number: 1008111901