

2340020006

CAREEX-6T

Ex Loudspeaker Double Faces 6 W



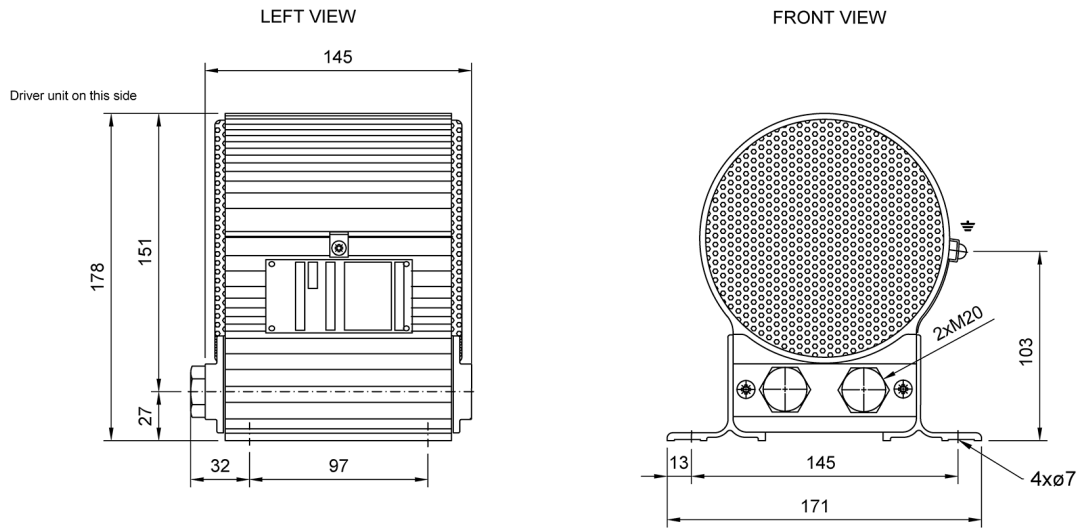
- ✓ Aluminum double faced loudspeaker
- ✓ Made for cabins, hallways, etc. in hazardous areas
- ✓ 100 V line transformer
- ✓ Adjustable tapping plugs

Description

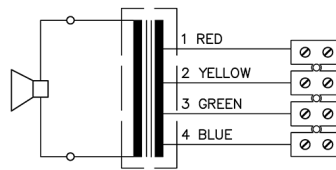
When mounting the loudspeaker please ensure that it is re-assembled in the same manner in which it was received.

Fasten loudspeaker to wall or ceiling with 4 screws by use of the extruded aluminium brackets on each side. Enter the e-chamber by loosening the screws on the lid and terminate the cable in the screw terminal. Fasten lid screws with a torque of 2 - 3 Nm to assure the IP rating. For optimum performance, always use the correct voltage / power and operate within the frequency limits as stated. Use only certified/specified cable glands and blanking plugs. Do not open loudspeaker when energized. Ex loudspeakers must be grounded properly, using marked screw.

Technical Dimensions



CIRCUIT DIAGRAM



Secondary nominal tapings

1:2	6,0W
2:3	3,0W
3:4	1,5W
1:3	1,0W
2:4	0,5W
1:4	0,3W

Specifications

GENERAL

Material / Color	Aluminum / anodized
Mounting	Foot bracket
Termination	E-chamber, screw terminals
Weight (with transformer)	4.0 kg
IP rating (e-chamber)	IP-54
Max. / min. amb. temp	40°C / -20°C
Rated / Max power	6 W / 6 W
SPL 1W / 1 m	90 dB
SPL rated power	97 dB
Effective frequency range	160 – 20000 Hz
Dispersion (-6dB) 1kHz / 4kHz	180° / 90°