

2340020025

Ex horn speaker, EEx dem IIB + H2 T4, 2x glands

Ex horn speaker, EEx dem IIB + H2 T4, 2x glands



- ✓ 15W
- ✓ 2x plastic M20 cable glands (11-14mm)
- ✓ Tappings: 0.8W - 1.5W - 3W - 4W - 8W - 15W
- ✓ Ex db eb mb IIB+H2 T4 Gb
- ✓ Ex tb IIIC T105°C Db

 IP66  IP67  IEC Ex Intercom  Atex

Description

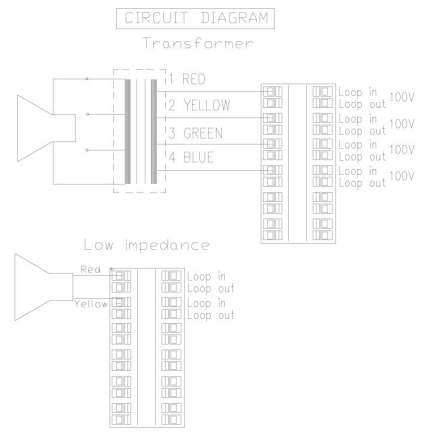
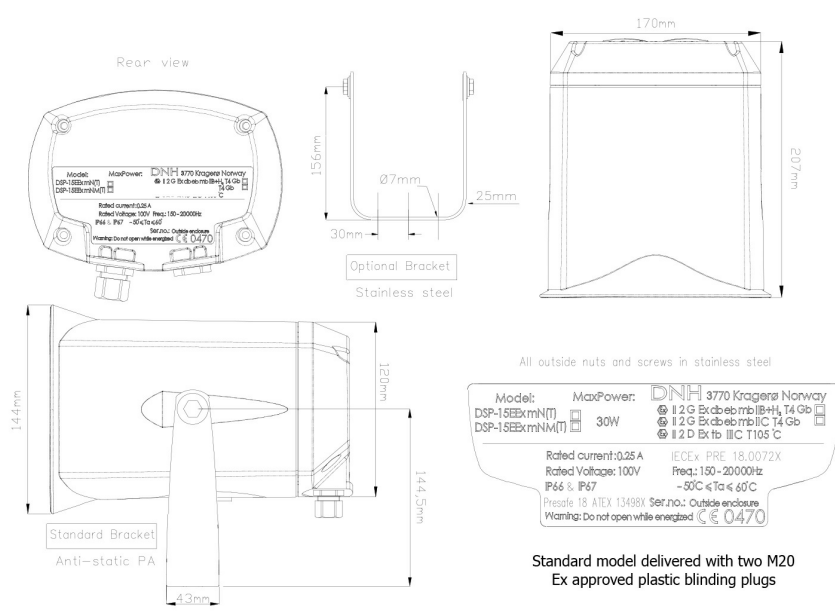
Versatile explosion-proof horn speaker perfectly suited for industrial or maritime environments. Antistatic plastic housing ensures a rugged, yet light-weight construction.

- ✓ With a 100V line transformer
- ✓ Rated/max. power: 15W
- ✓ Tappings: 0.8W - 1.5W - 3.0W - 4.0W - 8.0W - 15.0W
- ✓ Material: Antistatic PA / Black
- ✓ Bracket and all outside nuts and screws in stainless steel

When mounting the loudspeaker please ensure that it is re-assembled in the same manner in which it was received.

- ✓ Fasten bracket with 1-3 screws.
- ✓ To change the position of the loudspeaker, please adjust the standard U- bracket (by loosening/tightening the screws) as required.
- ✓ For optimum performance, always use the correct voltage/power and operate within the frequency limits as stated.
- ✓ Use only certified/specified cable glands and blanking plugs.
- ✓ Do not open the loudspeaker when energized.
- ✓ Fasten the lid with a torque of 2 - 3 Nm

Technical Dimensions



Specifications

GENERAL

Material / Color	Anti-static PA / Black
Mounting	Bracket
Termination	e-chamber, push terminals
Weight w/ transformer	2,2 kg
IP-rating	IP-66/67
Max / min amb temp.	50°C / -50°C
Rated / max. power	15 W / 30 W
SPL 1W/1m	105 dB
SPL rated power	116 dB
Effective freq range	380-7000 Hz
Dispersion (-6dB) 1kHz / 4kHz	200° / 50°
Directivity factor, Q (1kHz)	1,8
Fuse	Thermal fuse- 84°C, 2x Short-circuit protection fuses
Environmental Condition	Exposed