

3006206007

HE-112M-T

Weatherproof substation for 100V line

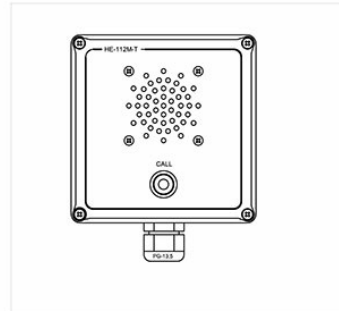
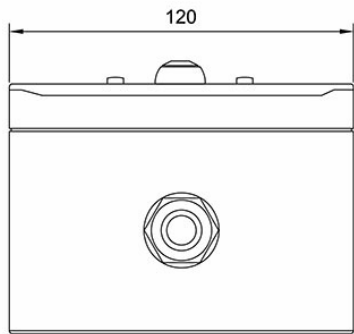
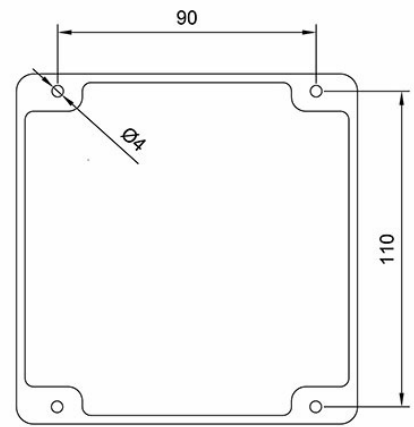
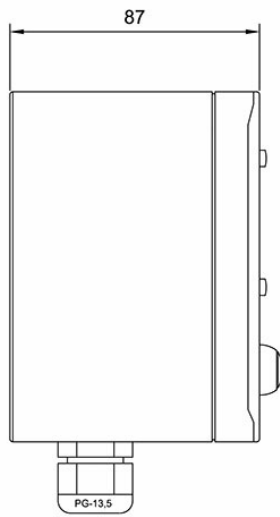
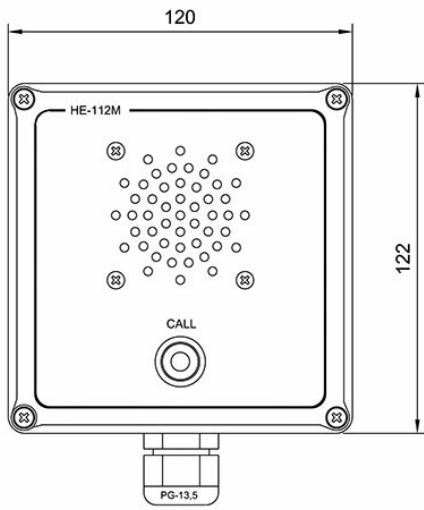
This product will be replaced by the equivalent [Phontech solution](#), but Zenitel will honor prior commitments given to the market. Therefore, we will continue to provide expansion and spare-part service for this product.

 IP66

Description

- ✓ Talk-Back Substation, designed for use in open deck areas
- ✓ Wall Mounting
- ✓ Call-button

Technical Dimensions



Specifications

GENERAL

Connections	Screw terminals
Transformer	For 100V line
Colour	Grey
IP rating	IP-66
Dimensions (WxHxD)	122 x 120 x 90 mm
Weight	0.6 kg