



1008140320

## TA-32

Turbine Mini On-Wall Back Box

 IP44

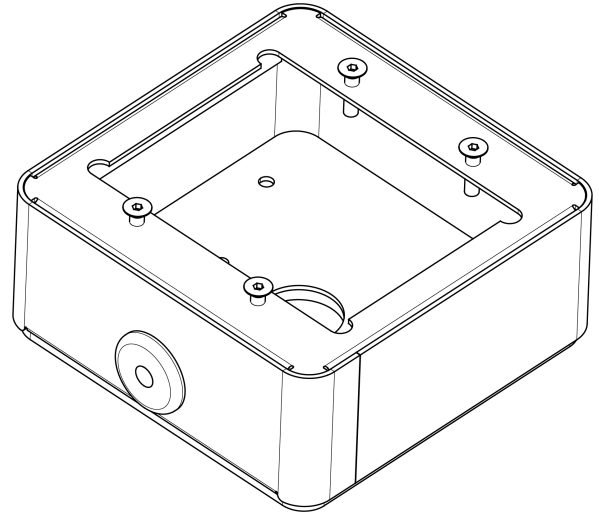
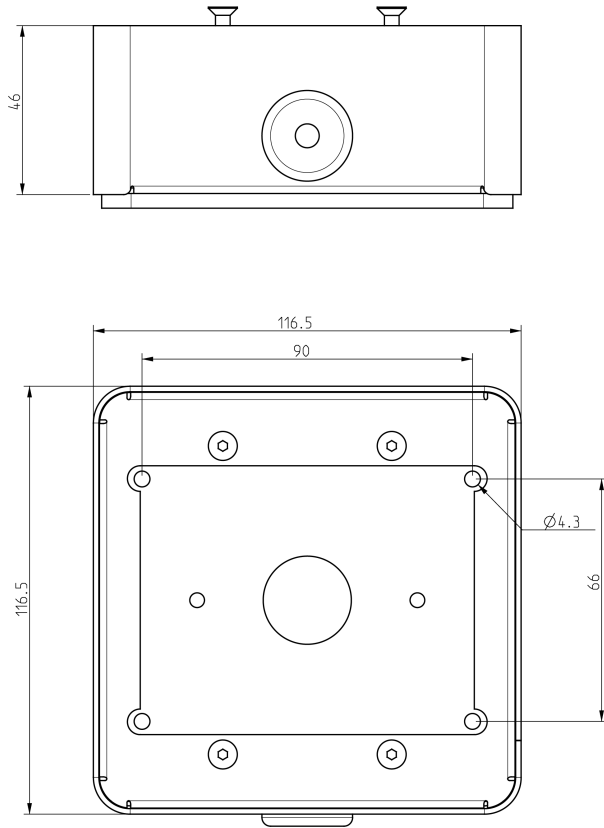
## Description

- ✓ 16-gauge galvanized steel construction
- ✓ White textured paint
- ✓ Convenient surface mounting
- ✓ Compatible with most standard 2-gang components, plates and covers
- ✓ Two 1/2" - 3/4" Concentric knockouts for conduit

The TA-32 on-wall backbox is designed for surface mounting of standard wall plates. The back box can be used to conveniently mount the Turbine Mini video station TMIV-1+. Rugged construction make the box ideal for indoor and outdoor applications.

Mounting holes allow for fixed mounting on virtually any wall surface. The backbox model is also available in textured black paint. Standard concentric knockouts facilitate wiring and installation.

# Technical Dimensions



All dimensions in mm

# Specifications

## MECHANICAL

---

Dimensions (WxHxD): 116.5 x 116.5 x 46 mm

---

Weight: 0.4 kg

---

## Used With



TMIV-1+

IP & SIP Video Intercom