

2340010002

## DSP-15 EExmN, 25W

Ex horn speaker for TFIX-V2 stations, 8 Ohm



 IP66  IP67  IEC Ex Intercom  Ex Atex

## Description

Ex horn speaker intended for use with TFIX-x-V2 intercom stations.

- ✓ With an internal thermal fuse
- ✓ Rated/max. power: 25W
- ✓ Material: Antistatic PA / Black
- ✓ Bracket and all outside nuts and screws in stainless steel

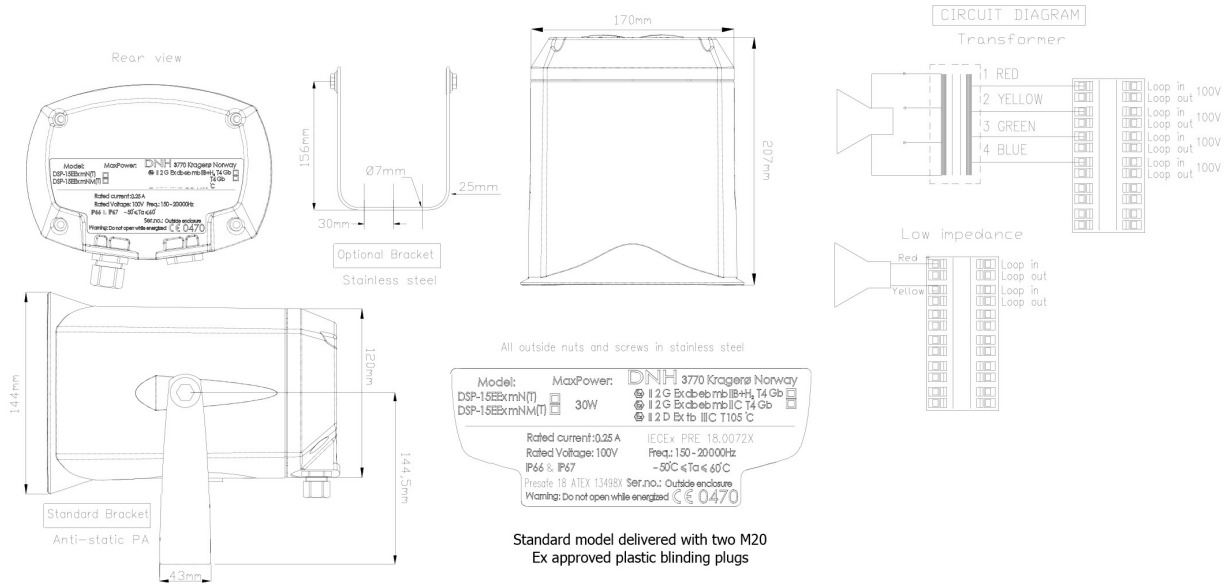
### Installation, Operation and Maintenance Procedures

- ✓ Remove the lid by four screws, lead the cable through the cable gland, and connect to the terminal with the

required tapping.

- ✔ Every time the back lid is removed, check that the gasket is fitted correctly to the lid before you refit the back lid. Do not use any lubricants on the gasket.
- ✔ Screw the lid back into place with four screws with a torque of 0,95-1,2 Nm to ensure the IP rating.
- ✔ To change the position of the loudspeaker, please adjust the standard U-bracket (by loosening/tightening the screws) as required.
- ✔ Use only IECEx/ATEX certified “Ex eb” cable glands and blanking plugs reflecting the same IP rating and temperature range as the loudspeaker.
- ✔ Standard model delivered with two M20 Ex-approved plastic blanking plugs.
- ✔ According to customer requirements, DSP-15EExmN(T) can be supplied with three different bracket systems.
- ✔ For optimum performance, always use the correct voltage/power and operate within the frequency limits as stated.
- ✔ Do not open the loudspeaker when energized.

## Technical Dimensions



# Specifications

## GENERAL

Material / Color	Anti-static PA / Black
Mounting	Bracket
Termination	e-chamber, push terminals
Weight w/ transformer	2,2 kg
IP-rating	IP-66/67
Max / min amb temp.	60°C / -50°C
Rated power	25 W
SPL 1W/1m	106 dB
SPL rated power	118 dB
Effective freq range	380-8000 Hz
Dispersion (-6dB) 1kHz / 4kHz	120° / 37°
Directivity factor, Q (1kHz/4kHz)	4,5 / 9,6
Impedance	8 Ohm