



1020600788

VMP-36-PELP-Ad

Headset with boom mic, headband, and 10m cable

Base product: VMP-36-PELP-A

Includes: 3005020067 - Modification cable kit with diode for [VMP-stations](#) - See the Documents tag for the modification description

- ✓ Portable headset for connection to plugbox CD-7-VMP
- ✓ Switchbox w/ M-button and belt clip
- ✓ Excellent noise performance
- ✓ High attenuating ear shells
- ✓ Standard with 10 meter cable



IP54



Onboard communication

Description

The VMP-36-PELP-A headset brings hearing protection and communication in noisy environments into a new level of performance with newly designed speakers and microphone.

The dual cup give a modern and slim look and is specially designed to provide excellent noise attenuation.

Applications

The VMP-36-PELP-A headset can enhance communication in noisy environments and other workplaces, where the workers need to be connected to their 2-way handheld or fixed systems throughout the day to help facilitate frequent contacts with co-workers.

Functionality (together with VMP station/CD-7-VMP Plugbox)

In the OFF Headset position *on the CD-7-VMP* plugbox the VMP station works as normal. No audio to, and from the headset.

If switched to upwards position (Opposite of OFF Headset) the headset is enabled and a dial tone is heard in the headset. Outwards dialling must be initiated on the VMP station.

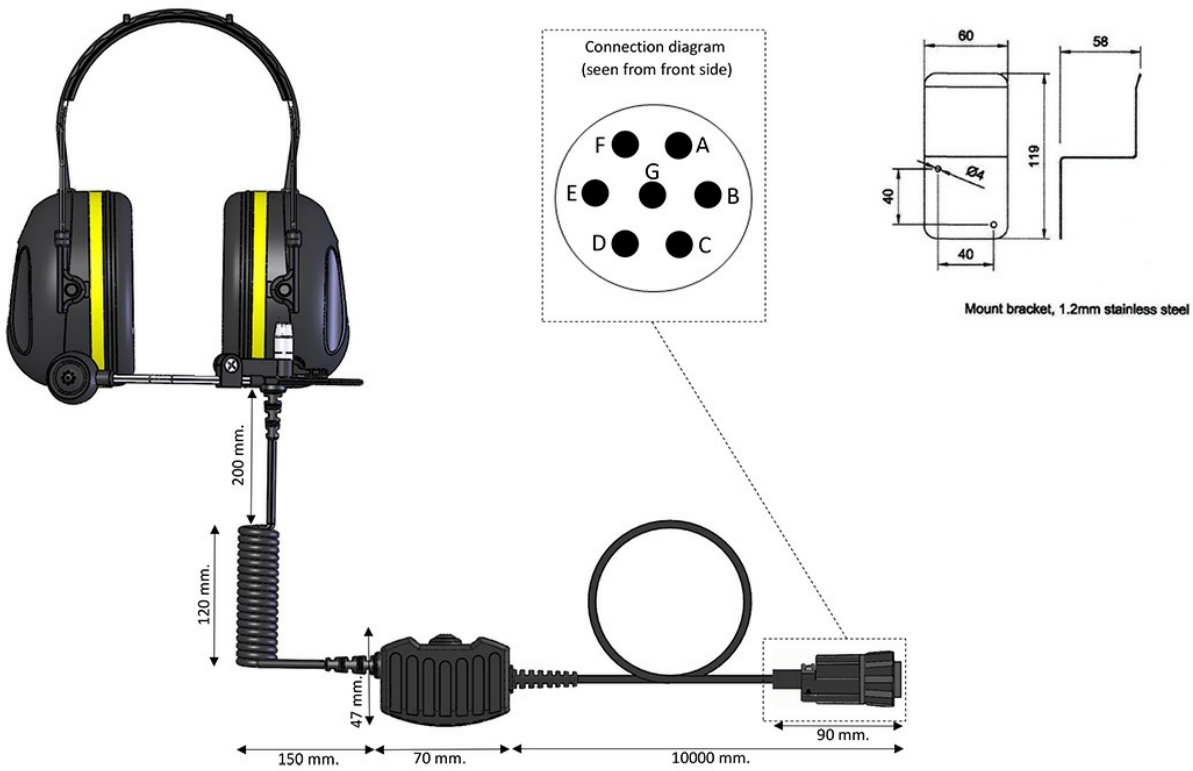
When called, the conversation can be answered directly from the headset/plugbox simply by swiching toupwards position.

If the switch somehow is in in the upwards position when a call comes in, the caller will be met by"busy"

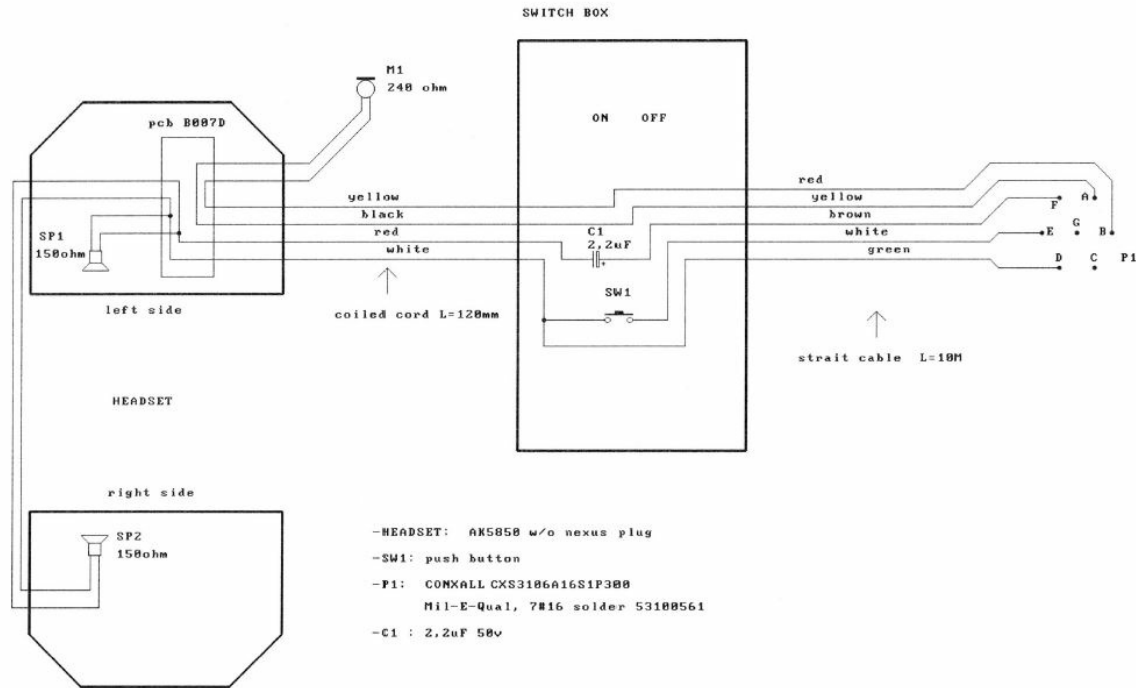
Use the headset PTT button (M-button) to talk from the headset when in a conversation. This will autmatically activate simplex mode. Return to duplex mode by briefly reactivating the PTT button.

Switch back to OFF Headset position to terminate the call.

Technical Dimensions



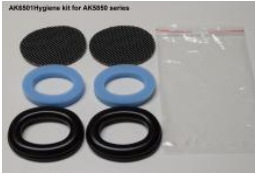
Specifications



GENERAL

Termination	Conxall, CXS3106A16S1P300, 7 pin (Plug box CD-7)
Microphone	20,5 mm. dynamic noise cancelling, 240 Ohm+- 30 %, sensitivity -57 dB+-3 dB, 0 dB=1v/pa at 1kHz, frequency response: 50Hz-6KHz.
Earphone/Speakers	27 mm. diameter, 150 Ohm+-15 %, Parallell connection, frequency response: 50Hz-10KHz.
Temperature	-40 to +60 degrees C
Storage Humidity	< 90%
Protection	IP-54 (When worn)
Attenuation rating (HML)	H=32 dB / M=28 dB / L=20
Attenuation rating (SNR)	30 dB
CE Certificate no.	12151RHS01
Dimension (HxD)	Approximately 250 x 150 mm. (adjustable).
Weight	0.4 kg
Colour	Black/Yellow
Manufacturer	Zenitel (A-kabel)
Cable	10m

Accessories



Hygiene kit for Headset

Hygiene kit for Headset



Spare Boom Microphone for Headset

Spare Boom Microphone for all A-Kabel type Headsets



Headset Stowage Bracket

Headset stowage Bracket for Wall mounting



Spare Switchbox w/cable for VMP-36-PELP-Ad



AK6070T Throat microphone for all A-kabel type Headsets

Dynamic Throat Microphone for Headset

Used With



Light Industrial Master Station



Industrial Master Station

Heavy Duty



CD-7-VMP

Plugbox Waterproof for VMP-36-PELP



VMP-503

Main Station With Loudspeaker



VMP-530

Main Station Waterproof