



2310601021

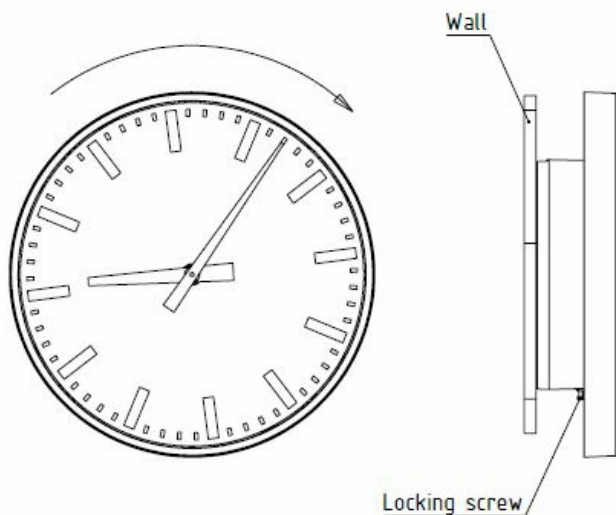
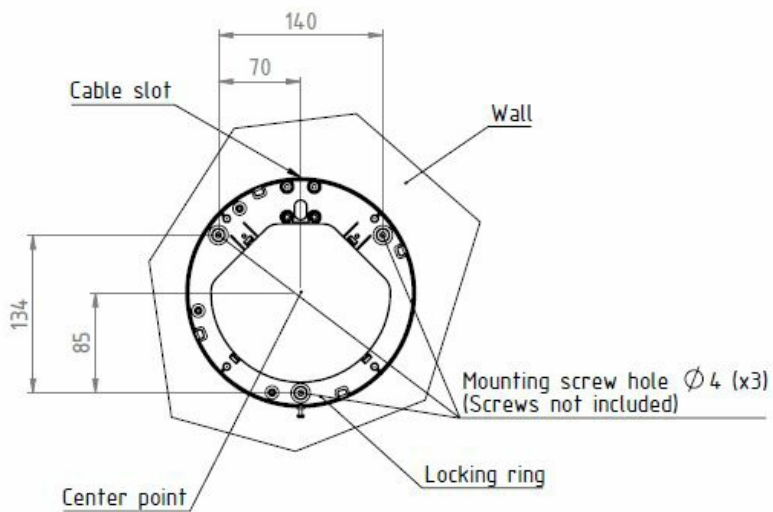
B161370-00

Mounting Bracket for Slave Clocks Ø230-400mm, ABS

Description

- ✓ Mounting Bracket for Round ABS Slave clocks
- ✓ Suitable for all slave clocks with diameter Ø230 to 400mm
- ✓ ABS Plastic

Technical Dimensions



- * If there is a cable to connect, connect it to the clockwork.
- * Mount the clock to the Locking ring by turning the clock.

Specifications

GENERAL

Mounting	3x Ø4 mm screws
----------	-----------------

Housing	ABS Plastic
---------	-------------

Colour	Light grey
--------	------------
