

3005020058

STB-2

Callbox WT Wall Mounted

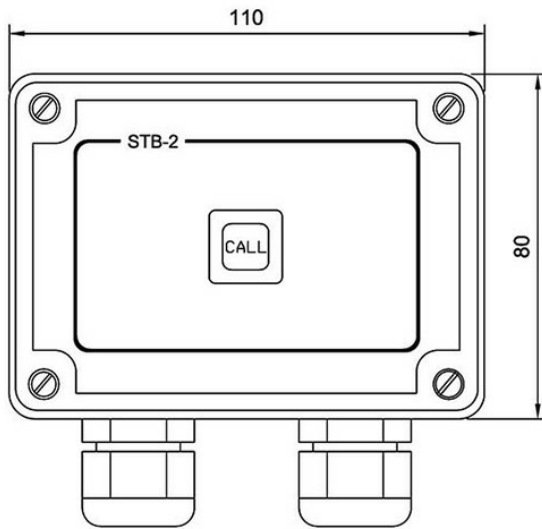
This product belongs to the ETB/CTB talkback system range, but is tested and approved to be compatible with Phontech CIS Talkback systems.

 IP66

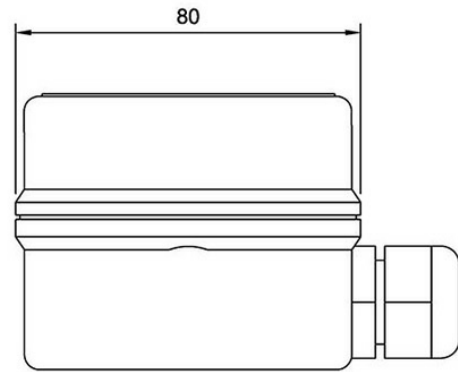
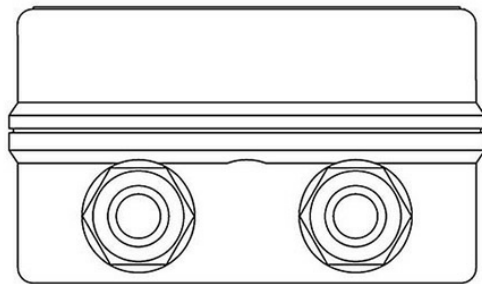
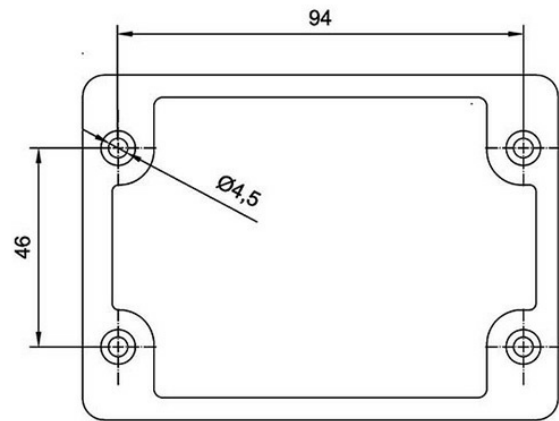
Description

- ✓ Call box
- ✓ Waterproof
- ✓ Call button
- ✓ Forming a loud speaking Talk Back Substation together with a horn loudspeaker (VML-1520)

Technical Dimensions



PG-13,5



Specifications

GENERAL

Material / Colour	ABS / Grey
Connections	Screw Terminals
IP-rating	IP-66
Dimensions (mm)	110W x 80H x 63D
Weight	0.3 kg
Temperature operating	-25 to +55 °C