

3005020061

STB-5GN

Flush Mounted Substation

This product will be replaced by the equivalent [Phontech solution](#), but Zenitel will honor prior commitments given to the market. Therefore, we will continue to provide expansion and spare-part service for this product.

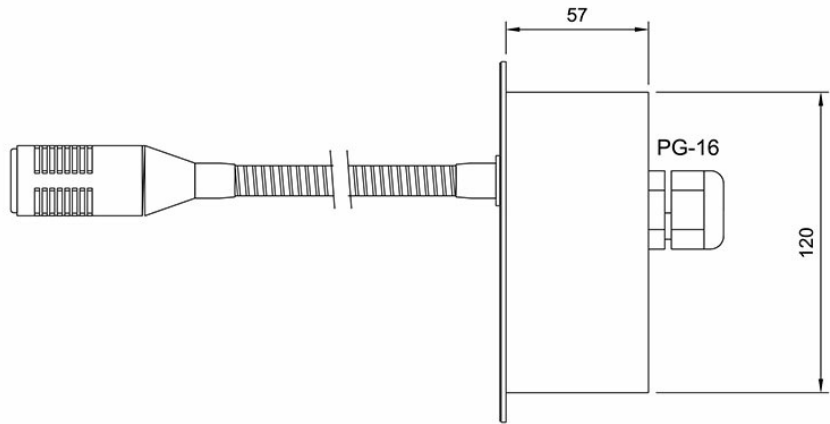
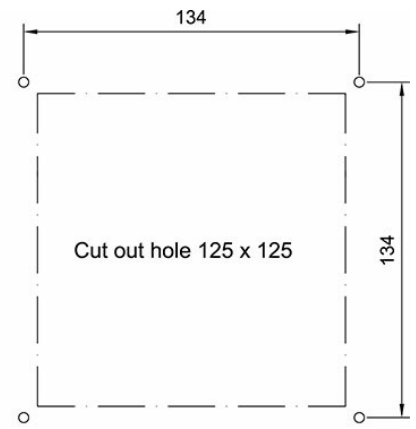
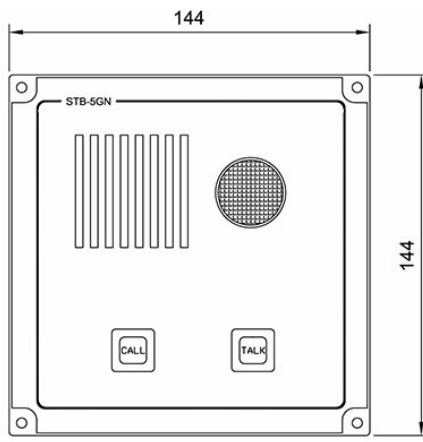
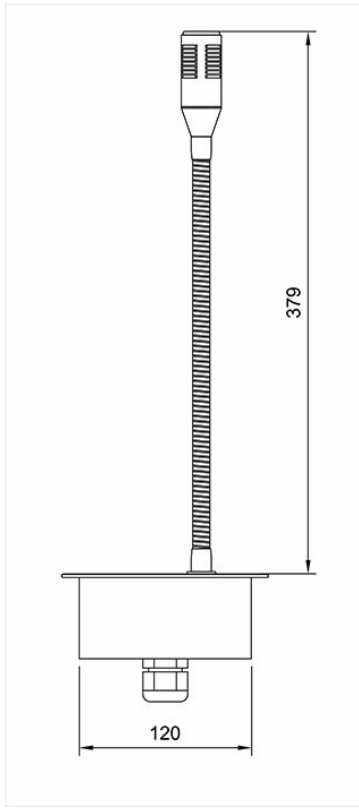


Description

- ✓ Talk-Back substation, designed for multipurpose indoor use (engine room)
- ✓ Delivered for flush or bulkhead mounting
- ✓ Call button for calling Master unit
- ✓ Built-in relay circuit for operating of external signalling devices
- ✓ Loudspeaker
- ✓ Gooseneck microphone

Box for bulkhead mounting (see seperate datasheet)

Technical Dimensions

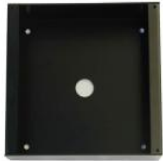


Specifications

GENERAL

Material / Colour	Aluminium / black
Connections	Screw Terminals
Loudspeaker	3 W
Dimensions	See dwg. above
Weight	Approx. 0.9 kg
IP rating	IP-22

Accessories



STBOKS5

Wall mounting box for STB-5/5GN