

3005020060

STB-5

Flush Mounted Substation

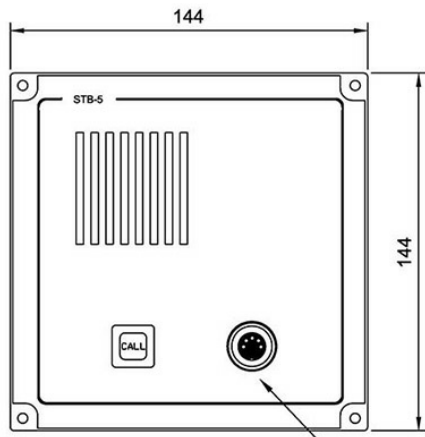
This product will be replaced by the equivalent [Phontech solution](#), but Zenitel will honor prior commitments given to the market. Therefore, we will continue to provide expansion and spare-part service for this product.



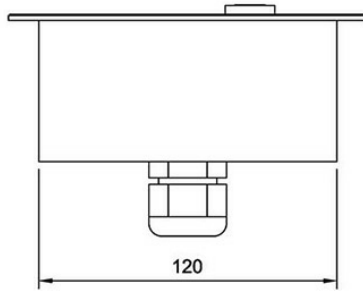
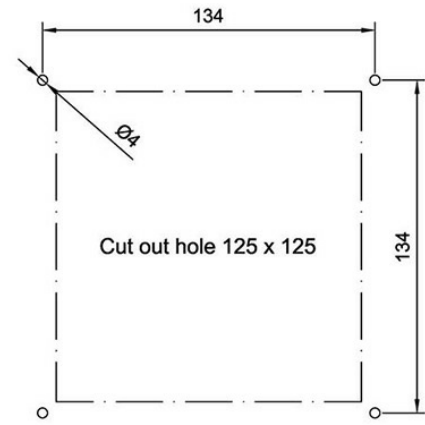
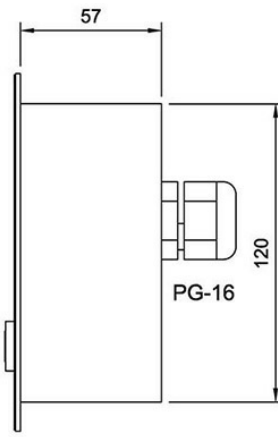
Description

- ✓ Talk-Back substation, designed for multipurpose indoor use (engine room)
- ✓ Flush mounting
- ✓ Wall mounting with back box
- ✓ Call button
- ✓ Built-in relay circuit for operating external signalling devices
- ✓ Loudspeaker
- ✓ Socket for handset or handheld microphone

Technical Dimensions



Microphone contact for handset or handheld microphone



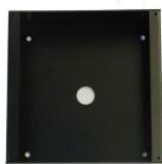
Related items:
 Microphone ETC-STB5 3005020030
 Handset HAS-1 3005020032
 Wall mounting box STBOKS5 3005010206

Specifications

GENERAL

Material / Colour	Aluminium / black
Connections	Screw Terminals
Loudspeaker	3 W
Dimensions (mm)	144W x 144H x 57D
Weight	Approx. 0,5 kg
IP rating	IP-22
Temperature operating	-15 to +55 °C

Accessories



STBOKS5

Wall mounting box for STB-5/5GN

Item Number: 3005010206



ETC-STB5

Hand Microphone for STB-5

Item Number: 3005020030



HAS-1

Handset for STB-5

Item Number: 3005020032