

3006200040

## VSP-5008

### EX Buffer Unit



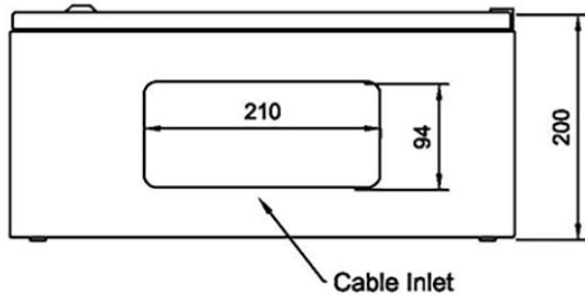
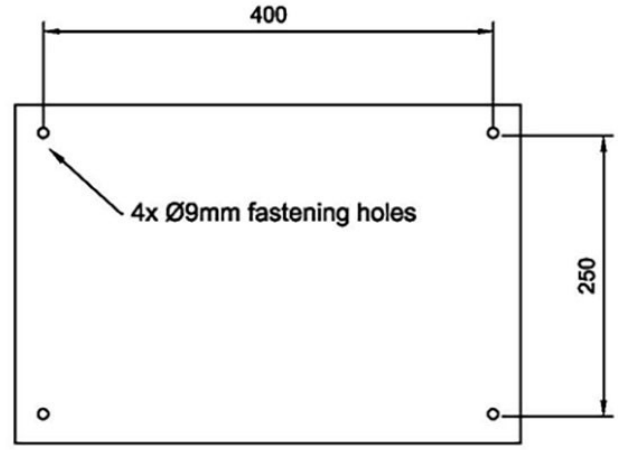
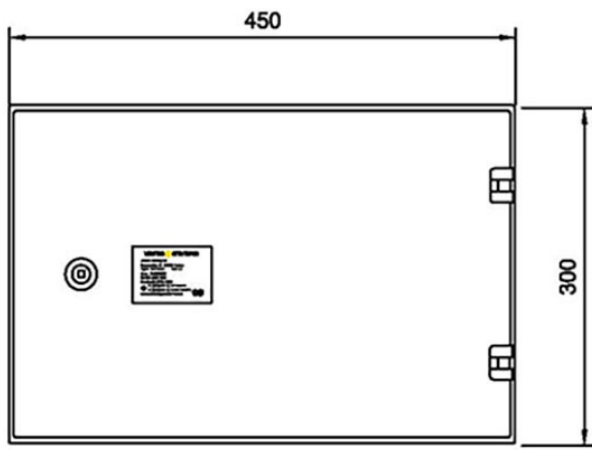
- ✓ Intrinsically safe buffer unit for mounting in safe area
- ✓ Supports up to 4 Ex(i) telephones - VSP-512
- ✓ 4x 24V DC outputs to Ex signal units
- ✓ 8 call signal outputs to safe area
- ✓ Delivered in a painted steel cabinet for wall mounting
- ✓ Can be delivered with up to 2x zener barriers for 24V DC I.S. sounder in zone 0
- ✓ (½ x zener barrier for each sounder)



## Description

Ensures uninterrupted communication between Ex- and safe zone in a Batteryless telephone system (VSP). To be mounted in Safe area with Barriers into the Hazardous (Ex) area. It accommodates up to 8 Batteryless telephones within the system, enabling seamless communication. Call signals are distributed in the Hazardous area via EX(d) signal units controlled by relay outputs. Encased in a durable painted steel cabinet designed for wall mounting. It offers optional integration with up to 2 zener barriers (4 extension numbers) for 24V DC sounders in zone 0, guaranteeing reliable operation and enhanced safety in hazardous environments.

## Technical Dimensions



# Specifications

## GENERAL

Dimensions (WxHxD)	450 x 300 x 200 mm
Mounting	Wall mounted
Weight	11.0 kg
Housing	Steel cabinet
Color	Beige / RAL 7032
Cable entry	Pre-cut cable inlet in bottom
Connections	Screw terminals
Operation voltage	24V DC
Power Consumption	15W (max)
Protection mode	[Ex ia Ga] IIC -20°C ≤ Ta ≤ +60°C
Certificate	Presafe 15 ATEX 6475 / IECEX PRE 15.0024
IP-rating	IP-44

ORDER NUMBER	DESCRIPTION	SHIP WEIGHT
3006200040	BUFFER UNIT WITH CAPACITY TO CALL 8 MAIN STATIONS IN SAFE AREA	11.0 Kg
Related items:		
3006200044	TELEPHONE I/S WALL W/12- POS SWITCH IP44, EEX ia IIC T6	1,8 Kg
3006200046	MT7H79F-501-FL5255 HEADSET I/S W/BOOM MI ON-OFF 10M CORD, I. Beltclip and 10 m cable.	0,5 Kg
3006102010	BEX-24B BEACON EX BExBG05D 24V DC BLUE ATEX IP67 1 CABLE GLAND	2,45 Kg
3006102011	BEACON EX BExBG05D 24V DC IP67 ORANGE ATEX 1 CABLE GLAND	
3006102012	EX APPROVED LIGHT, 24V DC RED, ATEX, IP66,1 CABLE GLAND	
3006102015	EX APPROVED LIGHT ORANGE 220V AC WT IP66, INCL. 1 CABLE GLA	2,75 Kg
3006102029	dHW2 EX SIGNAL BELL 24 Vdc IP 66 II 2 G EEx de IIC T6	6,0 Kg
3006102080	dHW1 EX SIGNAL BELL 230 V AC 50/60 Hz IP 66 - II 2 G EEx de IIC T	6,0 Kg
DHH1-230	Ex signal horn 230VAC 50/60 Hz WT - IP-66 -II 2 G EEx DE IIC T6	5,5 Kg
1020600992	IRR-3 RELAY BOX 24V DC OR 220V AC - SIGNAL UNIT WT - IP-66	0,35 Kg

## Used With



VSP-512

Intrinsically Safe Operating Unit

Item Number: 3006200044