

2310101072

HCV-6080RP fixed dome camera

2MP , D/N, 3,2 - 10 mm IR-LED, 1080p Analogue HD+, IP66 w/back box



- ✓ Max. 2 megapixel resolution
- ✓ 3.2 ~ 10mm (3.1x) motorized varifocal lens
- ✓ Max. 25fps@1080p(P)
- ✓ Day & Night (ICR), WDR (120dB)
- ✓ SSNR , Motion detection
- ✓ IR viewable length 30m, IP66, IK10
- ✓ Transmission distance max.500m
- ✓ Easy Installation (Plug & play), Dual power (24V AC \pm 10% & 12V DC \pm 10%)
- ✓ Power Consumption: Max. 4.2W

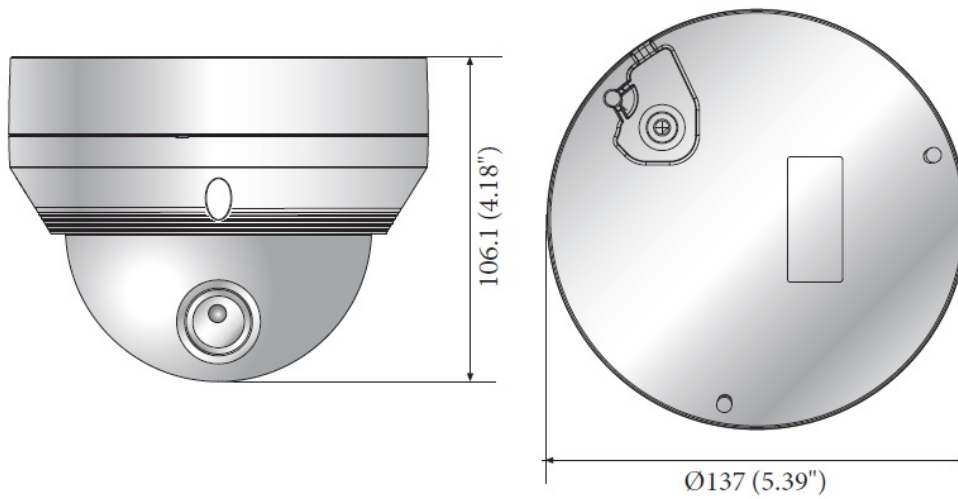
Description

The HCV-6080R is an affordable 2MP 1080p Analog HD Vandal-Resistant IR Dome Camera, 3.2 ~ 10.0mm motorized varifocal lens, IR, 120dB WDR.

Technical Dimensions

Dimensions

Unit : mm (inch)



Specifications

VIDEO

Imaging Device	1/2.8" 2M CMOS
Total Pixels	1,945(H) x 1,109(V)
Effective Pixels	1,945(H) x 1,097(V)
Scanning System	Progressive Scan
Min. Illumination	Color : 0.11 Lux (F1.6, 1/30sec), B/W : 0 Lux (IR LED on)
S / N Ratio	52dB (AGC Off, Weight On)

LENS

Focal Length (Zoom Ratio)	3.2 ~ 10mm (3.1x) motorized varifocal
Max. Aperture Ratio	F1.6
Angular Field of View	H : 110.2°(Wide) ~ 32°(Tele) / V : 55.4°(Wide) ~ 18°(Tele) / D : 128.4°(Wide) ~ 36.6°(Tele)
Focus Control	Simple focus (Motorized V/F) / Manual
Lens Type	DC auto iris
Mount Type	Board type
Pan / Tilt / Rotate Range	0° ~ 350° / 0° ~ 67° / 0° ~ 355°

OPERATIONAL

IR Viewable Length	30m (98.43ft)
Camera Title	Off / On (Displayed up to 15 characters per line)
	Multi-language support (16)
Day & Night	Auto (ICR) / Color / B/W
Backlight Compensation	Off / User BLC / HLC / WDR
Wide Dynamic Range	120dB
Digital Noise Reduction	SSNRIV (Off / On)
Motion Detection	Off / On (4 zones)
Privacy Masking	Off / On (6 zones)
Gain Control	Off / Low / Middle / High / Very High
White Balance	ATW / Outdoor / Indoor (4,500K° ~ 8,500K°) / Manual / AWC (1,800K° ~ 10,500K°)
Defog	Off / Auto / Manual
Electronic Shutter Speed	1sec ~ 1/12,000sec
Reverse	Off / H-Rev / V-Rev / HV-Rev
Profile	Basic, Day & Night, Backlight, ITS, Indoor, User
Alarm I/O	(MD) Output 1
Remote Control Interface	Coaxial
Protocol	AHD : ACP (AHD Coax Protocol), CVBS : Pelco-C (Coaxitron), CCP (CVI Coax Protocol), TCP (TVI Coax Protocol)
IR Distance	30m (98.43ft)

ENVIRONMENTAL

Operating Temperature / Humidity: -30°C ~ +55°C (-22°F ~ +131°F) / Less than 90% RH *
Start up should be done at above -10°C (+14°F)

IP66 / IK10

ELECTRICAL

Input Voltage / Current: Dual
(24V AC ±10% & 12V DC ±10%)

Power Consumption: Max. 4.2W

MECHANICAL

Color / Material: Ivory /
Aluminum

Dimensions (WxH): Ø137 ×
106.1mm (Ø5.39" × 4.18")

Weight: 725g (1.60 lb)
