

2310111075

SBP-300WMS - wall mount bracket

Wall mount bracket for XNP-6320, SST.



- ✓ Stainless steel material
- ✓ Wall mount bracket
- ✓ for XNP-6320

Description

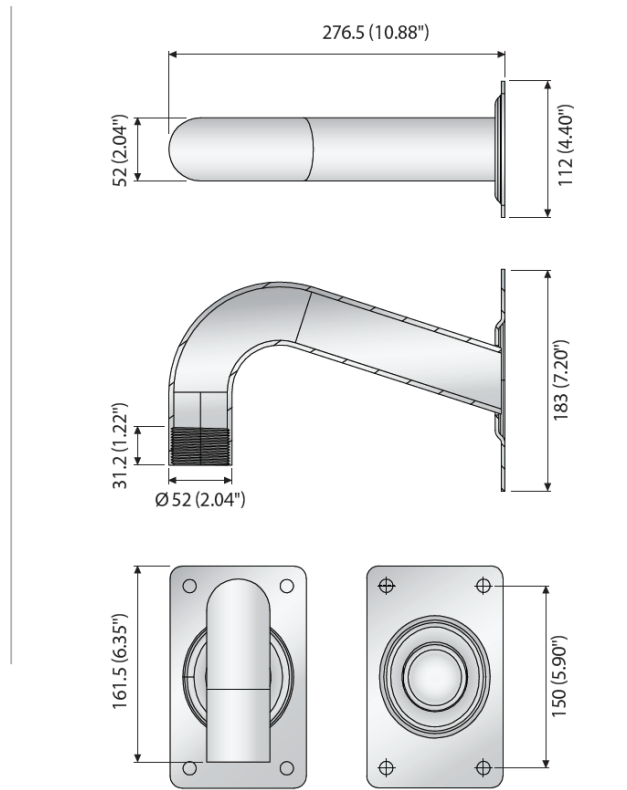
This wall mount bracket is in stainless steel for harsh environments to prevent corrosion and paint chipping. The wall mount bracket is for use with our XNP-6320HS PTZ Dome Camera

NOTICE

- ✓ The bracket should be installed on the flat surface of a wall
- ✓ The wall must be capable of supporting more than 3 times the total capacity of the camera and the bracket.

Technical Dimensions

Dimensions



SBP-300WMS

Specifications

SPECIFICATION

Model	SBP-300WMS
Materials	Stainless steel
Mounting	Wall mount
Pipe Thread	1 1/2" PF
Dimension	183 X 112 X 276.5 mm (7.20" x 4.41" x 10.89")
Weight	2 kg (4.41 lb)