

2310111155

## NXM-IP Hi-PoE DarkFighter camera

Stainless steel housing (NXM36) with IP DarkFighter Camera



### Housing

- ✓ Made of AISI 316L electropolished stainless steel
- ✓ Cylindrical body enclosed by two 6mm(0.24in)-thick circular flanges
- ✓ 2 PG13.5 cable glands in nickel-plated brass for external connections
- ✓ IP66/IP67/IP68/IP69
- ✓ Marine Certification: Lloyd's Register Marine Type Approval

### Camera

- ✓ 1/1.8" Progressive Scan CMOS
- ✓ 1920 x 1080 @ 60 fps, MJPEG up to 1920 x 1080
- ✓ Color: 0.002 Lux @ (F1.2, AGC ON), B/W: 0.0002 Lux @ (F1.2, AGC ON)
- ✓ H.265, H.265+, H.264+, H.264
- ✓ 140dB WDR
- ✓ Auto iris, P iris optional
- ✓ Auto back focus optional

ONVIF ONVIF Conformant



Onboard communication



Atex

## Description

The NXM-IP DarkFighter Camera with stainless steel housing for aggressive environments gives our user the best of breed with high quality imaging protected inside a housing developed for extremely corrosive environments, and such a perfect fit for the Maritime and Offshore Energy environments, be it a vessel, oil&gas installation, offshore wind or other installations where the use of durable and type approved equipment is essential.

### NXM 36 Housing:

The NXM36 housing has been developed for installations in highly corrosive areas such as industrial chemical, petrochemical, marine, naval and offshore platforms; entirely made from electropolished and passivated AISI 316L stainless steel for maximum protection against deterioration.

The NXM36 product is Lloyd's Register Type Approval System Test Specification Number 1 certified and therefore can be used in Marine and Offshore applications for environmental categories ENV1, ENV2, ENV3 and ENV5 (eg. passenger ships, open-air decks, closed spaces and technical areas that may be subject to heat generated by other equipment, docking procedures).

Housing's heater is supporting PoE+ (13W) or Hi-PoE (25W), PoE+ heater up to -20degC

# DarkFighter Camera:

2MP Darkfighter Box Network Camera with high quality imaging with 2 MP resolution. The camera has excellent low-light performance via DarkFighter technology. Clear imaging against strong back light due to LightFighter technology and efficient H.265+ compression technology to save bandwidth and storage.

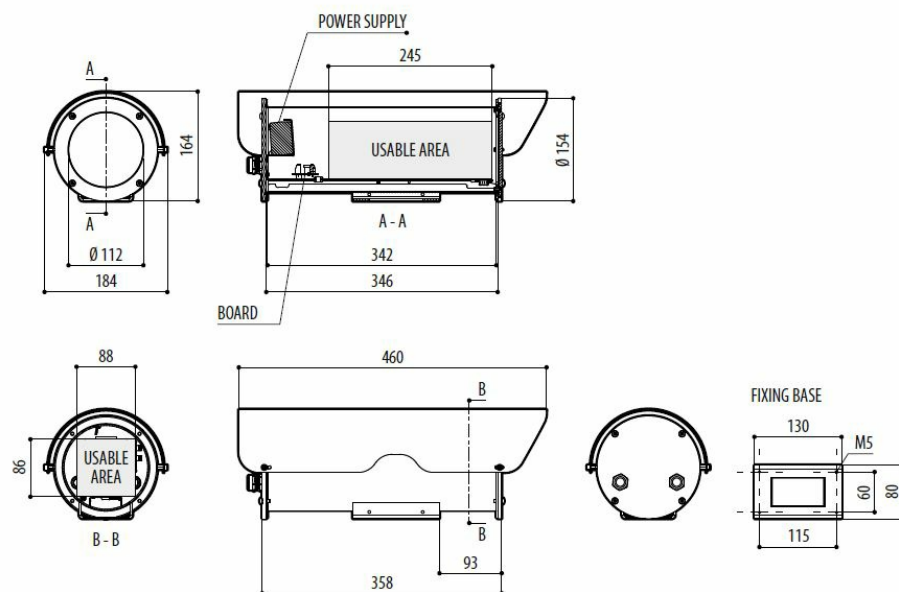
Advanced streaming technology enables smooth live view and data self-correction in poor networks, it offers 5 streams and up to 5 custom streams to meet a wide variety of applications. The embedded open platform allows third party applications to be installed in manufacturers network cameras. The camera also comes with 6 behavior analyses, 3 exception detection, and face detection.

## Technical Dimensions

### Housing:

#### TECHNICAL DRAWINGS

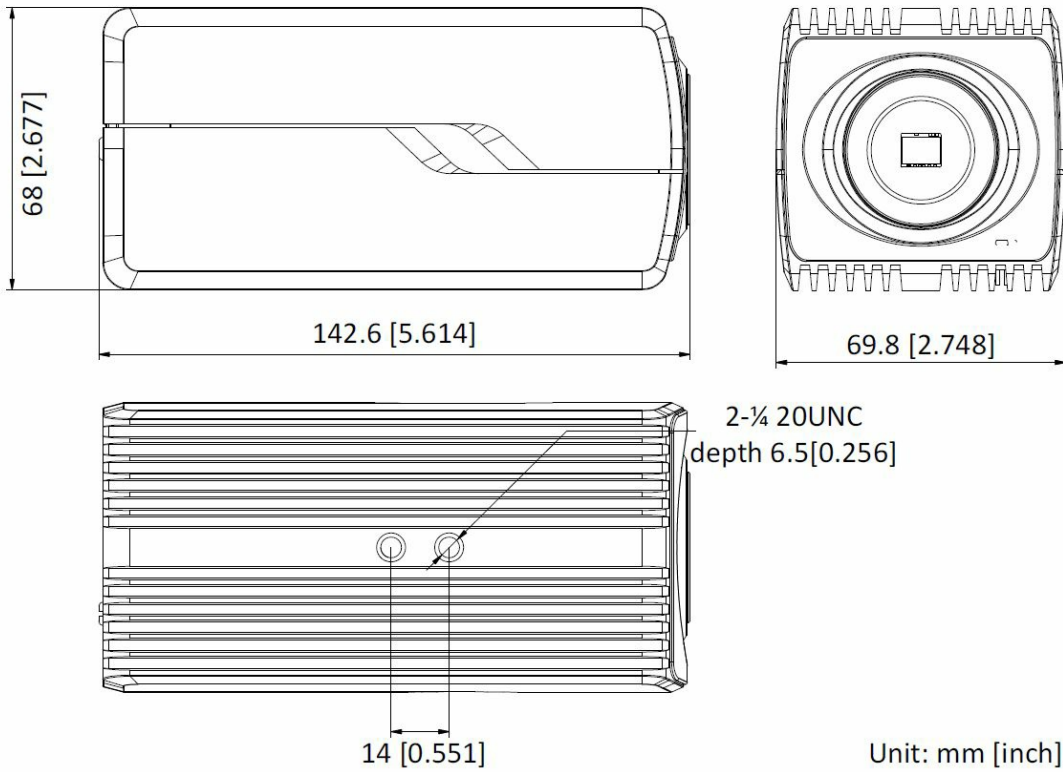
The indicated measurements are expressed in millimetres.



NXM36

### Camera:

# Dimensions



# Specifications

Housing:

## MECHANICAL

Housing manufactured in polished stainless steel (austenitic stainless alloy steel resistant to corrosion and heat):

*AISI 316L*

*UNI 6900-71: X 2 Cr Ni Mo 17 12 2*

*DIN 17006: X 2 Cr Ni Mo 17 13 2*

*N° werkstoff: 1.4404*

*AFNOR: Z2 CND 17-12*

*BSI: 316S11*

The screws utilised are in austenitic alloy stainless steel, corrosion and heat resistant according to the following standards:

*ISO: 7380*

*AISI: 316*

*ISO quality: A4*

Internal usable area(WxH):88x86mm (3.5x3.4in)

Internal usable area(with double heater)(WxH):55x100mm (2.2x3.9in)

Internal usable length(without accessories):334mm (13.1in)

Internal usable length(with heater and/or power supply):245mm (9.6in)

External dimensions(ØxL):154x358mm (6.1x14.1in)

Cable glands:2xPG13.5(nickel-plated brass for external connections)

Flange thickness:6mm (0.24in)(front/back)

Gaskets:High sealing O-ring

Housing window

Material:Tempered extra clear glass

Usable diameter:97mm (3.8in)

Thick:4mm (0.16in)

Unit weight:5kg (11lb)

## ELECTRICAL

Supply voltage/Current consumption(version with heater,Ton 15°C±3°C (59°F ±5°F),Toff 22°C±3°C (72°F±5°F)):

*12Vdc, 1.6Amax*

*24Vac, 0.85Amax, 50/60Hz*

*120Vac, 0.35Amax, 50/60Hz*

*230Vac, 0.18Amax, 50/60Hz*

Supply voltage/Current consumption(version with double heater,Ton 15°C±3°C (59°F ±5°F),Toff 22°C±3°C (72°F±5°F)):

*120Vac, 0.7Amax, 50/60Hz*

*230Vac, 0.35Amax, 50/60Hz*

*Camera power supply*

*INfrom 100Vac up to 240Vac, 50/60Hz-OUT 12Vdc, 1.25A*

*IN230Vac, 50Hz-OUT 24Vac, 50Hz, 400mA*

## ENVIRONMENT

For indoors and outdoors installation

Submersible:up to-40m (-130ft)(pressure:4bar)

Operating temperature(with heater):from-20°C (-4°F)up to+60°C (140°F)

Operating temperature(with double heater):from-40°C (-40°F)up to+60°C (140°F)

Relative humidity:from5%up to95%

#### CERTIFICATIONS - MARINE APPLICATIONS

Lloyd's Register Marine Type Approval certification(PoE versions excluded):

Test Specification Number 1(ENV1, ENV2, ENV3, ENV5)

Electromagnetic compatibility:EN60945

Salty fog resistance:EN60068-2-52

Tested at 70°C (158°F) for 16 hours in compliance with EN60068-2-2

#### CERTIFICATIONS

Electrical safety(CE):EN60950-1

Electromagnetic compatibility(CE):EN50130-4,EN61000-6-3

IP protection degree(EN60529):IP66,IP67,IP68,IP69

EAC certification

#### Camera:

CAMERA	
Image Sensor	1/1.8" Progressive Scan CMOS
Min. Illumination	Color: 0.002 Lux @ (F1.2, AGC ON), B/W: 0.0002 Lux @ (F1.2, AGC ON)
Shutter Speed	1 s - 1/100,000 s
Slow Shutter	Yes
Auto-iris	DC drive With -P model: P-iris
Day Night	IR Cut Filter
Digital Noise Reduction	3D DNR
WDR	140dB
Focus	With -A model: support ABF (auto back focus)
LENS	
Lens Mount	CS mount
COMPRESSION STANDARD	
Video Compression	Main stream: H.265/H.264/H.265+/H.264+ Sub stream/third stream/fourth stream/fifth stream/custom stream: H.265/H.264/MJPEG
H.264 Type	Baseline Profile/Main Profile/High Profile
H.264+	Main stream support

H.265 Type	Main Profile
H.265+	Main stream support
Video Bit Rate	32 Kbps to 16 Mbps
Audio Compression	G.711/G.722.1/G.726/MP2L2/PCM
Audio Bit Rate	64Kbps(G.711)/16Kbps(G.722.1)/16Kbps(G.726)/32-192Kbps(MP2L2)/32Kbps(PCM)
<b>SMART FEATURE-SET</b>	
Behavior Analysis	Line crossing detection, intrusion detection, region entrance detection, region exiting detection, unattended baggage detection, object removal detection
Exception Detection	Scene change detection, audio exception detection, defocus detection
Face Detection	Yes
Statistics	Counting
Region of Interest	4 fixed regions for main stream, sub stream, third stream, fourth stream, and fifth stream, and dynamic face tracking
<b>IMAGE</b>	
Max. Resolution	1920 × 1080
Main Stream	50Hz: 50fps (1920 × 1080, 1280 × 960, 1280 × 720) 60Hz: 60fps (1920 × 1080, 1280 × 960, 1280 × 720)
Sub Stream	50Hz: 25fps (704 × 576, 640 × 480) 60Hz: 30fps (704 × 480, 640 × 480)
Third Stream	50Hz: 25fps (1920 × 1080, 1280 × 960, 1280 × 720, 704 × 576, 640 × 480) 60Hz: 30fps (1920 × 1080, 1280 × 960, 1280 × 720, 704 × 480, 640 × 480)
Fourth Stream	50Hz: 25fps (1920 × 1080, 1280 × 720, 704 × 576, 640 × 480) 60Hz: 30fps (1920 × 1080, 1280 × 720, 704 × 480, 640 × 480)
Fifth Stream	50Hz: 25fps (704 × 576, 640 × 480) 60Hz: 30fps (704 × 480, 640 × 480)
Custom Stream	50Hz: 25fps (1920 × 1080, 1280 × 720, 704 × 576, 640 × 480) 60Hz: 30fps (1920 × 1080, 1280 × 720, 704 × 480, 640 × 480) Up to 5 custom streams are supported
Image Enhancement	BLC, HLC, defog, 3D DNR, EIS
Image Setting	Rotate mode, saturation, brightness, contrast, sharpness, AGC, and white balance are adjustable by client software or web browser
Target Cropping	Yes
SVC	H.264 and H.265 encoding
Day/Night Switch	Day/Night/Auto/Schedule/Triggered by Alarm In
Picture Overlay	LOGO picture can be overlaid on video with 128 × 128 24bit bmp format

NETWORK	
Network Storage	Support microSD/SDHC/SDXC card (256 GB) local storage and NAS (NFS,SMB/CIFS), ANR
Alarm Trigger	Motion detection, video tampering alarm, network disconnected, IP address conflict, illegal login, HDD full, HDD error
Protocols	TCP/IP, ICMP, HTTP, HTTPS, FTP, DHCP, DNS, DDNS, RTP, RTSP, RTCP, PPPoE, NTP, UPnP, SMTP, SNMP, IGMP, 802.1X, QoS, IPv6, UDP, Bonjour
Security Measures	Password protection, HTTPS encryption, IEEE 802.1x port-based network access control, IP address filter, basic and digest authentication for HTTP/HTTPS, WSSE and digest authentication for ONVIF
General Function	One-key reset, anti-flicker, five streams and up to 5 custom streams, heartbeat, password protection, privacy mask, watermark, IP address filter
API	ONVIF (PROFILE S, PROFILE G), ISAPI, SDK
Simultaneous Live View	Up to 20 channels
User/Host	Up to 32 users. 3 user levels: administrator, operator and user
Client	iVMS-4200, Hik-Connect, iVMS-5200, Hik-Central
Web Browser	IE8+, Mozilla Firefox 30.0+, Google Chrome 31.0+, Safari 8.0+ Plug-in free live view supported
INTERFACE	
Audio	1-ch 3.5 mm input (line in), 1-ch 3.5mm output, mono
Communication Interface	1 RJ45 10M/100M/1000M Ethernet port 1 RS-485 interface (half duplex, HIKVISION, Pelco-P, Pelco-D, self-adaptive)
Alarm	2 inputs 2 outputs (alarm output supports up to 24 VDC, 1A or 110 VAC, 500 mA)
Video Output	1Vp-p composite output (75 Ω/CVBS)
Power Output	12 VDC, max. 200 mA, (supported by 12 VDC, 24 VAC and PoE)
On-board storage	Built-in micro SD/SDHC/SDXC slot, up to 256 GB
BNC	CVBS analog output (4CIF resolution)
Reset Button	Yes
AUDIO	
Environment Noise Filtering	Yes
Audio Sampling Rate	8 kHz/16 kHz/32 kHz/44.1 kHz/48 kHz
GENERAL	
Firmware Version	5.5.5
Operating Conditions	-30 °C to 60 °C (-22 °F to 140 °F), humidity 95% or less (non-condensing)

Power Supply	Recommended DC input 12 V, voltage range of 10 to 48 VDC allowed; recommended AC input 24 V, voltage range of 15 to 36 VAC allowed; two-core terminal block  PoE (802.3af, class 3)
Power Consumption and Current	With extra load: 12 VDC, 0.8 A, max. 10 W; 24 VAC, 0.7 A, max. 10 W; PoE (802.3af, 36 V to 57 V), 0.1 A to 0.3 A, class 3  Without extra load: 12 VDC, 0.6 A, max. 7 W; 24 VAC, 0.55 A, max. 7 W; PoE (802.3af, 36 V to 57 V), 0.1 A to 0.3 A, class 3  "with extra load" means that an extra device is connected to and powered by the camera.
Material	Aluminum alloy
Dimensions	142.6 × 69.8 × 68 mm (5.61" × 2.75" × 2.68")  With package: 315 × 140 × 140 mm (12.4" × 5.51" × 5.51")
Weight	-AP: approx. 730 g (1.61 lb.), 1020 g (2.25 lb.) with package  Non-AP: approx. 690 g (1.52 lb.), 975 g (2.15 lb.) with package

\* Listed resolutions are only selectable options. It does not mean that all streams can work at their maximum resolution at the same time.

## Accessories



### VIPNX2C Wiper NXM Housing

Wiper for NXM Housing, 24VAC