

2810011074

## CAB-AVF-L-230

Active ventilation for CABxx with a steel door, 230VAC

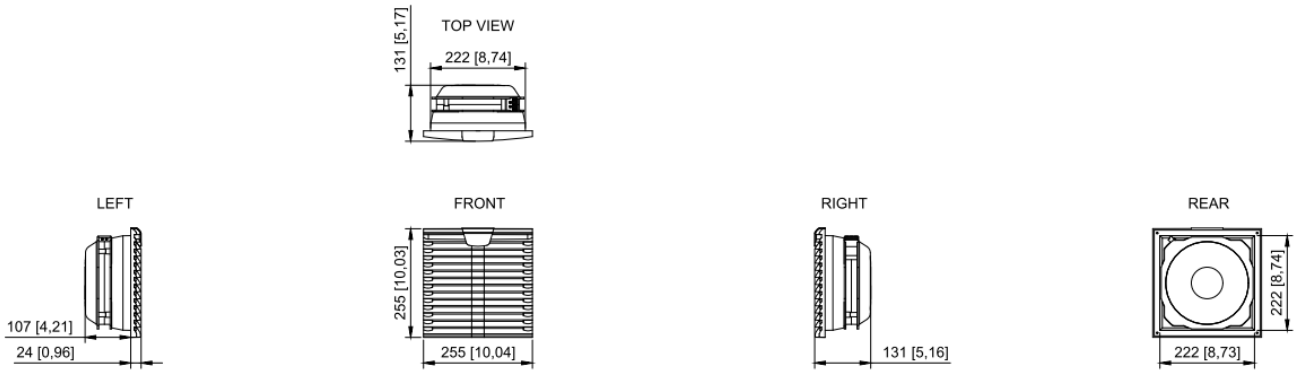
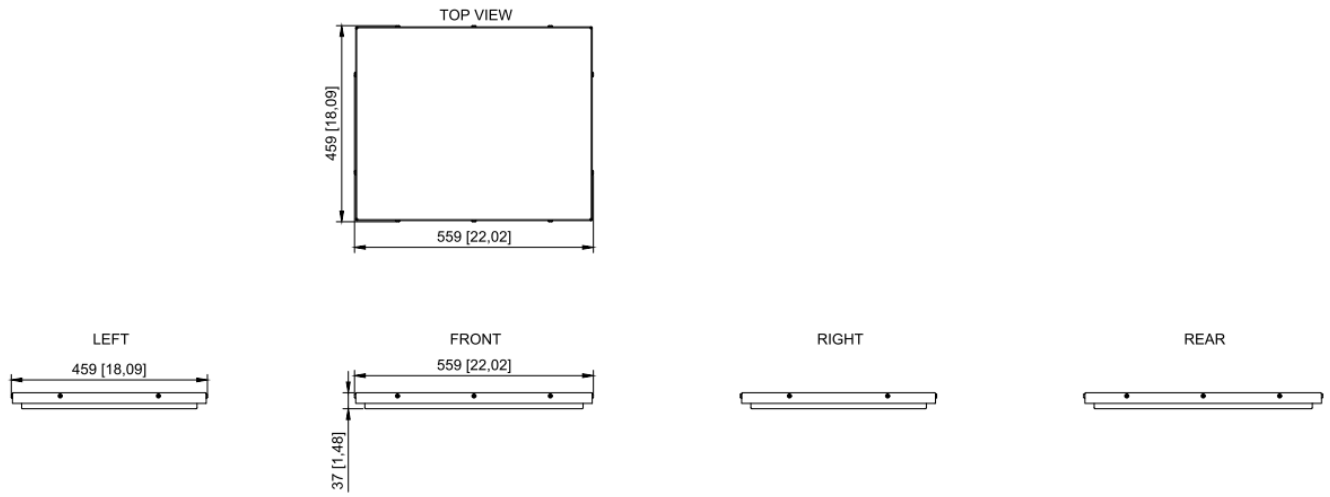
- ✓ A fan in the front door (Front fan unit 255x255mm 183m3/h 230Vac)
- ✓ Enclosure internal thermostat
- ✓ Thermostat Mounting plate
- ✓ Roof air outlet (no fan) (Vent attachment for VX top)
- ✓ IP22

## Description

CAB-AVF-L-230 Active ventilation for CABxx with a steel door, 230VAC

\*Include 230VAC front door fan unit (100-200m3/h), internal thermostat with mounting plate, and roof with air outlet

## Technical Dimensions



# Specifications

## ELECTRICAL DATA

Rated operating voltage	230 V, 1~, 50 Hz/60 Hz
Power consumption	At 50 Hz: 40 W
	At 60 Hz: 42 W
Air throughput, unimpeded air flow	183/205 m³/h

## DIMENSIONS & WEIGHT

Roof air outlet dimensions (W x H x D)	559x459x37mm
Air inlet fan dimensions (W x H x D)	255x255x131mm
IP Protection	IP22

## Used With



CAB42F-V2

Floor cabinet 19" 42HU  
600x600x2000mm fixed frame



CAB42FW-V2

Floor cabinet 19" 42HU  
800x600x2000mm fixed frame



CAB42FWD-V2

Floor cabinet 19" 42HU  
800x800x2000mm fixed frame



CAB42SWD-V2

Floor cabinet 19" 42HU  
800x800x2000mm swing frame



**CAB42FD-V2**

Floor cabinet 19" 42HU  
600x800x2000mm fixed frame



**CAB42FWDD**

Floor cabinet 19" 42HU  
800x1000x2000mm fixed frame