

2810011076

CAB-AVF-L-115

Active ventilation for CABxx with a steel door, 115VAC

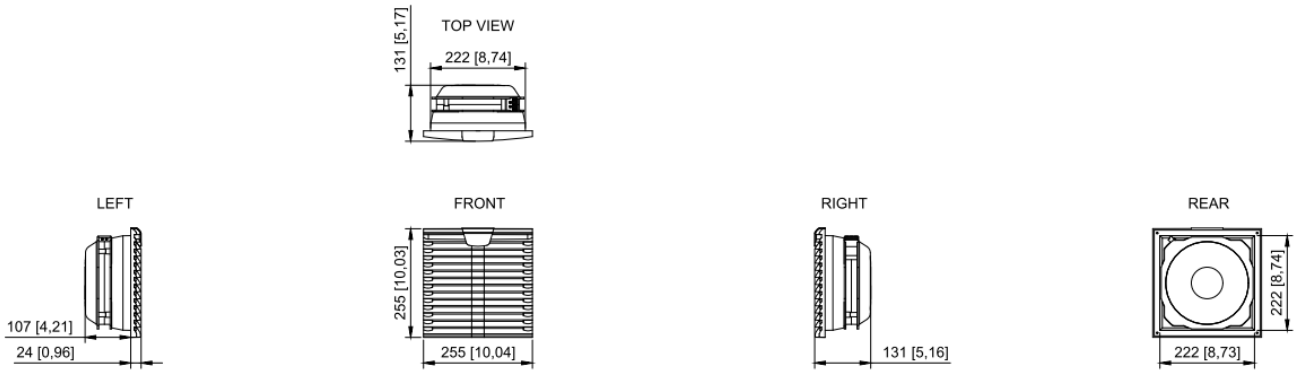
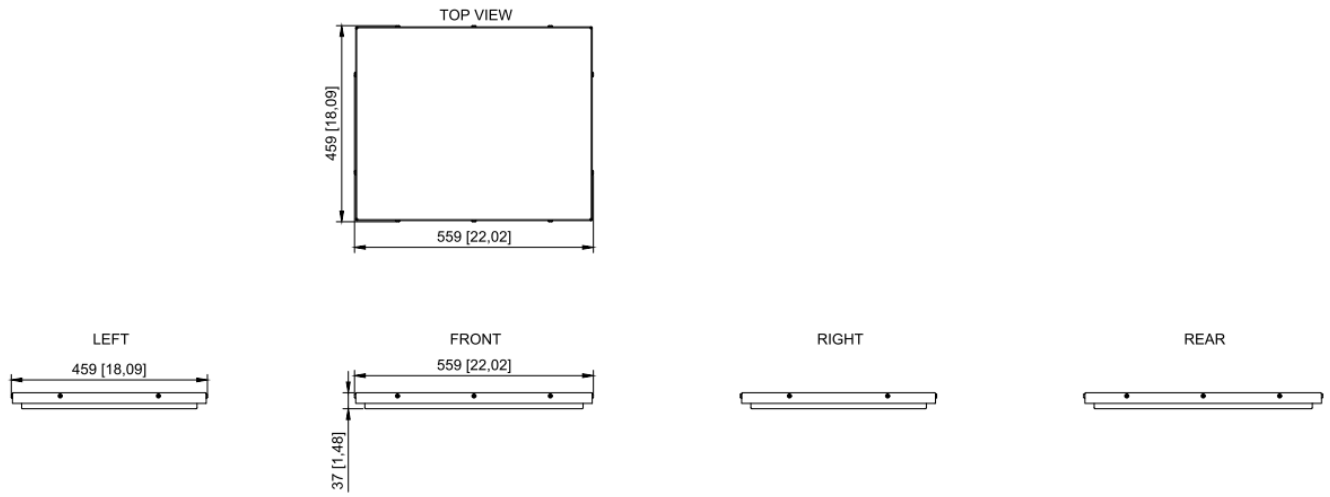
- ✓ A fan in the front door (Front fan unit 255x255mm 183m³/h 230Vac)
- ✓ Enclosure internal thermostat
- ✓ Thermostat Mounting plate
- ✓ Roof air outlet (no fan) (Vent attachment for VX top)
- ✓ IP22

Description

CAB-AVF-L-115 Active ventilation for CABxx with a steel door, 115VAC

*Include 115VAC front door fan unit (100-200m³/h), internal thermostat with mounting plate, and roof with air outlet

Technical Dimensions



Specifications

ELECTRICAL DATA

Rated operating voltage	115 V, 1~, 50 Hz/60 Hz
Power consumption	At 50 Hz: 35 W
	At 60 Hz: 34 W
Air throughput, unimpeded air flow	138/121 m³/h

DIMENSIONS & WEIGHT

Roof air outlet dimensions (W x H x D)	559x459x37mm
Air inlet fan dimensions (W x H x D)	255x255x131mm
IP Protection	IP22

Used With



CAB42F-V2

Floor cabinet 19" 42HU
600x600x2000mm fixed frame



CAB42FW-V2

Floor cabinet 19" 42HU
800x600x2000mm fixed frame



CAB42FWD-V2

Floor cabinet 19" 42HU
800x800x2000mm fixed frame



CAB42SWD-V2

Floor cabinet 19" 42HU
800x800x2000mm swing frame



CAB42FD-V2

Floor cabinet 19" 42HU
600x800x2000mm fixed frame



CAB42FWDD

Floor cabinet 19" 42HU
800x1000x2000mm fixed frame