

2810011077

CAB-AVF-S-115

Active ventilation for CABxx with a steel door, 115VAC

- ✓ A fan in the front door (Front fan unit 148,5x148,5mm 50m3/h 230Vac)
- ✓ Enclosure internal thermostat
- ✓ Thermostat Mounting plate
- ✓ Roof air outlet (no fan) (Vent attachment for VX top)
- ✓ IP22

Description

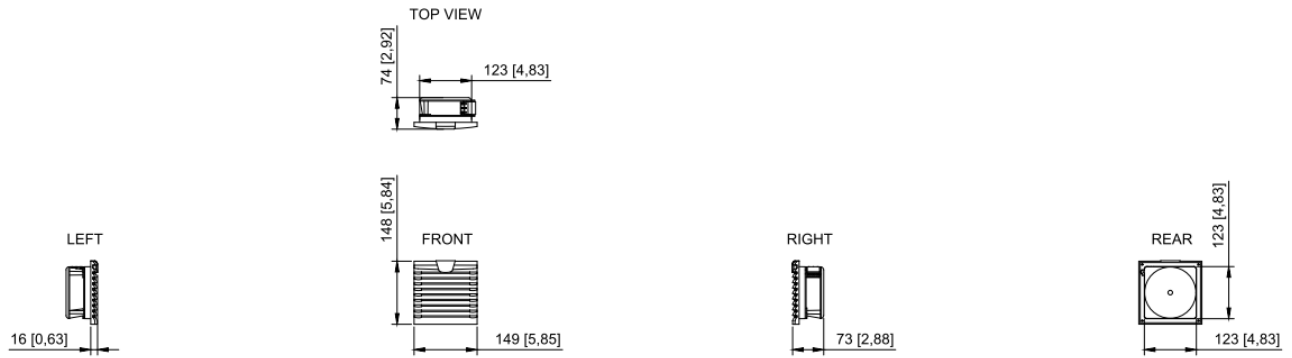
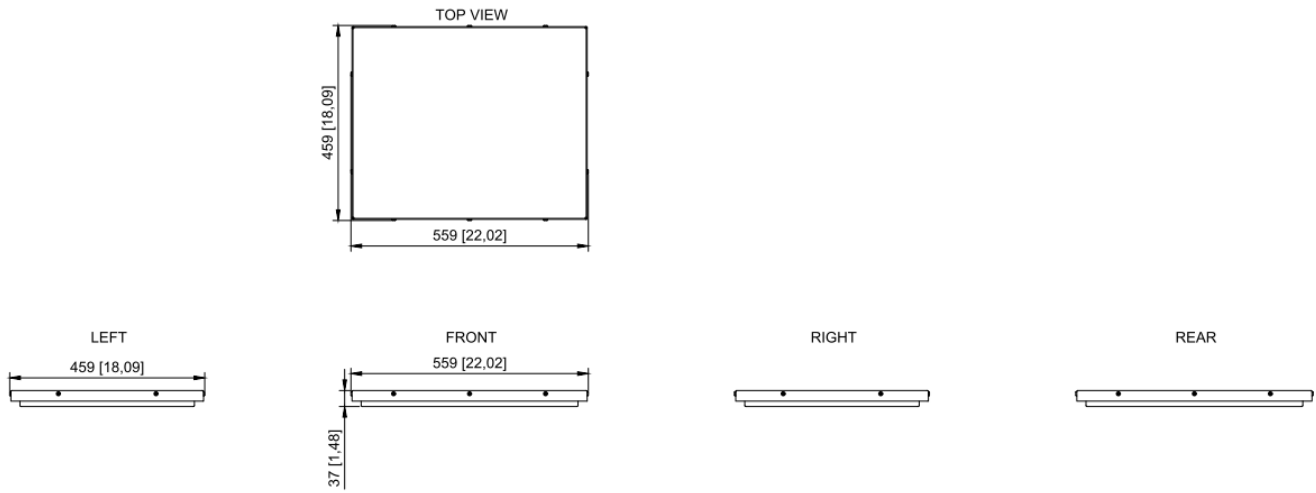
CAB-AVF-S-115 Active ventilation for CABxx with a steel door, 115VAC

*Include 115VAC front door fan unit (55-60m3/h), internal thermostat with mounting plate, and roof with air outlet

Note: For CAB24-FWD-V2, please add one additional fan:

- ✓ 2810011033 - Fan in front door (air in)(Front fan unit 148,5x148,5mm 55m3/h 115Vac)

Technical Dimensions



Specifications

ELECTRICAL DATA

| | |
|------------------------------------|---|
| Rated operating voltage | 115 V, 1~, 50 Hz/60 Hz |
| Power consumption | At 50 Hz: 19 W |
| | At 60 Hz: 18 W |
| Air throughput, unimpeded air flow | Air power at 50 Hz: 55 m ³ / h |
| | Air power at 60 Hz: 66 m ³ / h |
| | |
| | |

DIMENSIONS & WEIGHT

| | |
|--|--------------------|
| Roof air outlet dimensions (W x H x D) | 559x459x37mm |
| Air inlet fan dimensions (W x H x D) | 148,5x148,5x58,5mm |
| | |
| | |
| | |
| | |
| | |

Used With



CAB15F-V2

Floor cabinet 19" 15HU
600x600x800mm fixed frame



CAB24FW-V2

Floor cabinet 19" 24HU
800x600x1200mm fixed frame



CAB24FWD-V2

Floor cabinet 19" 24HU
800x800x1200mm fixed frame



CAB24SW-V2

Floor-mounted 24HU cabinet -
800x1200x600mm (WxHxD)
swing frame



CAB24FWDD

Floor cabinet 19" 24HU
800x1000x1200mm fixed frame



CAB24F-V2

Floor cabinet 19" 24HU
600x600x1200mm fixed frame