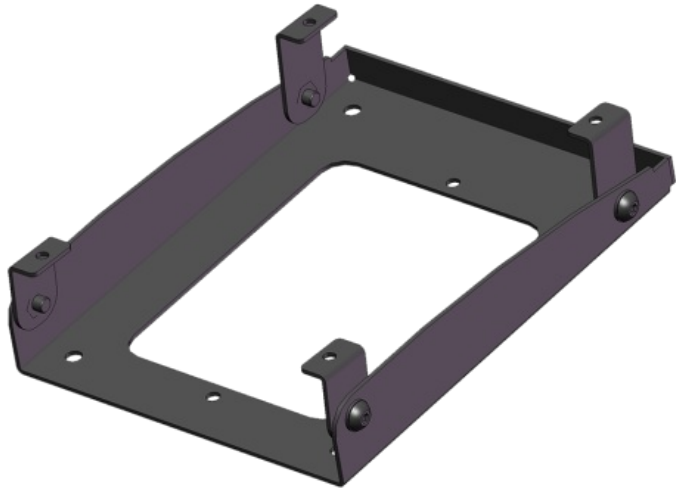


1200560010

## MPS01-MB

Wall or desk mount bracket kit for MPS01 microphone



- ✓ WALL OR DESK MOUNT BRACKET FOR THE MPS
- ✓ EASY INSTALLATION
- ✓ COMPATIBLE WITH THE MPS01 MICROPHONE



Public Address



Voice Alarm



Civil Defence Approval

EN54

EN 54 Certified

## Description

The MPS01-MB is a wall or desk mounting bracket for the MPS01 microphone. It is designed to securely hold the microphone and allows for simple, straightforward installation.

## Used With



MPS01-G

Desk Mount Paging and  
Emergency Microphone -  
Gooseneck

Item Number: 1000169