

2213000300

VAF-1

Analog Flush Telephone W/Relay

- ✓ Bridge and ECR console telephone
- ✓ Supports DTMF
- ✓ Double ringing tone selection for dual telephones in same area
- ✓ Solid construction for marine environment
- ✓ Adjustable backlight
- ✓ Volume control
- ✓ Relay output



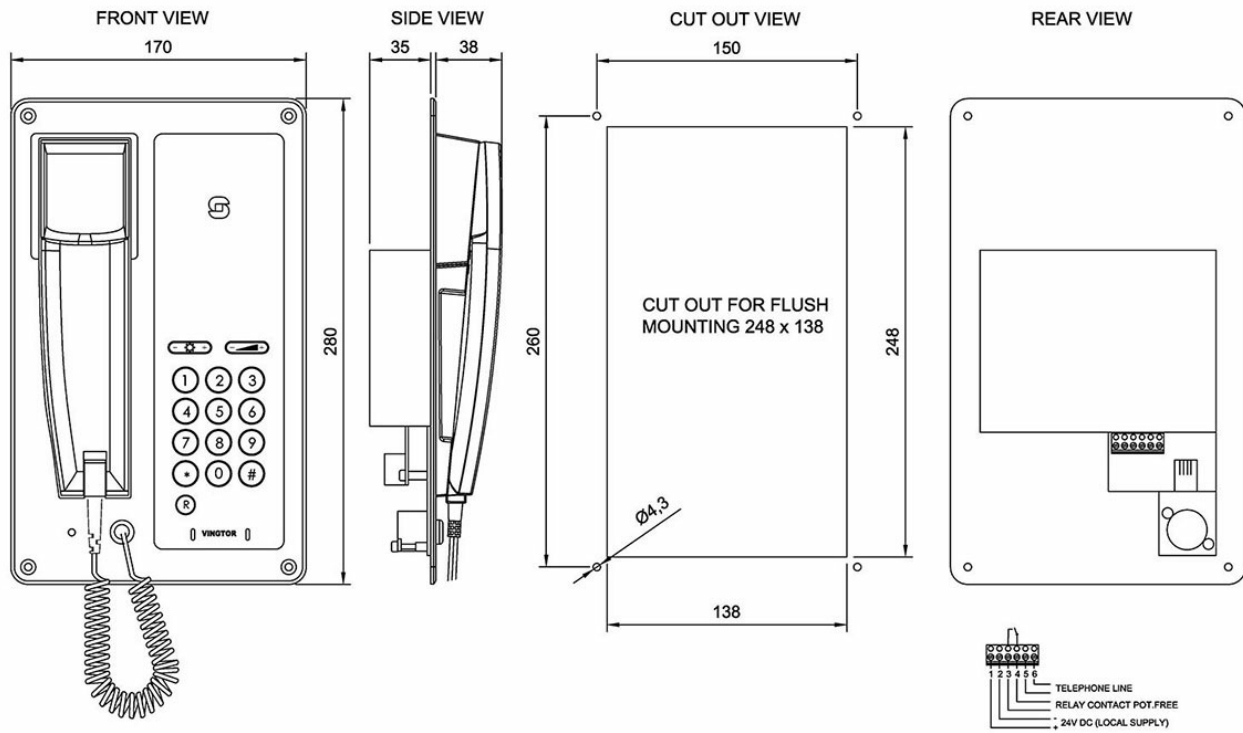
Description

The Vingtor-Stentofon Analogue Flush Telephone VAF-1 is made for analogue extensions on ACM system. The telephone is well suited for bridge and control room onboard ships and has a solid construction for marine environment, including strong magnet holder for the handset.

The telephone is easy to use with a full keypad (including R/flash key). All keys have adjustable background light and volume in handset is adjustable.

The telephone has an internal relay that can be used for external buzzer unit.

Technical Dimensions



Specifications

GENERAL

Dimension (HxWxD)	170 x 280 x 84 mm
Weight	0.6 kg
Construction	Aluminum frame
Environment	IP-22
Connectors	Screw terminals
Ringing voltage	45-110 V, 25-50 Hz
Outputs	1 relay contact output (activated during received call tone)
Power	24V DC for background light
Buzzer tone	Piezo acoustic sound ringer
Flash (R) key	Flash time selectable by jumper, default 100 ms
Keypad	Standard dial pad 0-9 (*), (#) and R Flash key