

3006202029

VMP-36-PELP

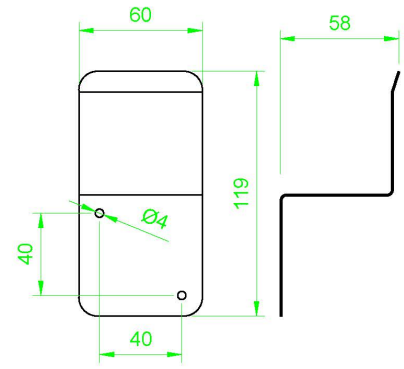
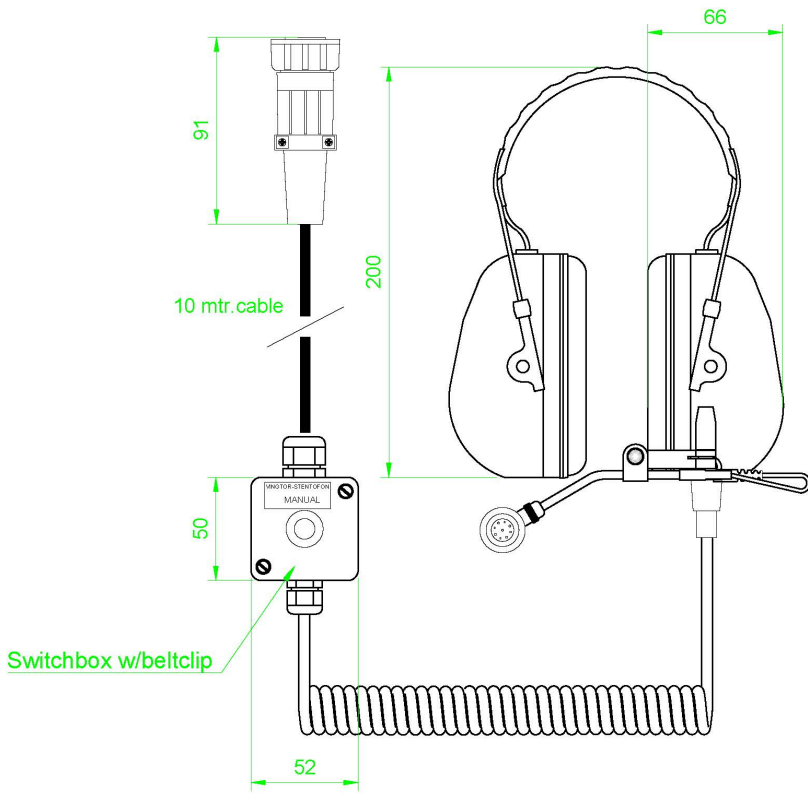
Headset with Boom Microphone, 10 Meter Cable and Plug

Replacement item: [1020600753](#)

Description

- ✓ Portable headset for connection to plugbox CD-7-VMP
- ✓ Includes switchbox w/ M-button and belt clip
- ✓ Standard with 10 meter cable and 7p-plug
- ✓ Includes headset holder for wall mounting
- ✓ For use in noisy areas with VMP-stations

Technical Dimensions



Mount bracket, 1.2mm stainless steel

Specifications

SPECIFICATIONS

Connections	To plugbox CD-7-VMP
Headset	MT 7H7A
Colour	Black
IP class	IP-54
Dimensions	See drawing
Weight	1.1 kg

ORDER NUMBER	DESCRIPTION	SHIP WEIGHT
3006202029	VMP-36-PELP Headset with boom microphone, 10 meter cable and plug	1.1 kg
2330040012	MT90-02 Throat Mic. for VSP-36-PEL(P), P-MT7, VMP 36-PEL(P)	

Accessories



CD-7-VMP

Plugbox Waterproof for VMP-36-PELP

Used With



Industrial Substation

Heavy Duty



Industrial Master Station

Noice Cancelling



Industrial Substation

Heavy Duty



Industrial Master Station

Heavy Duty



Light Industrial Master Station