

1020600750

## VMP-36-PEL

Headset with Boom Microphone and 10 Meter Cable

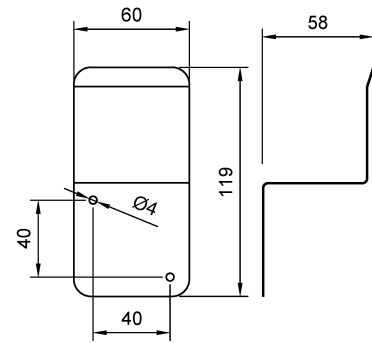
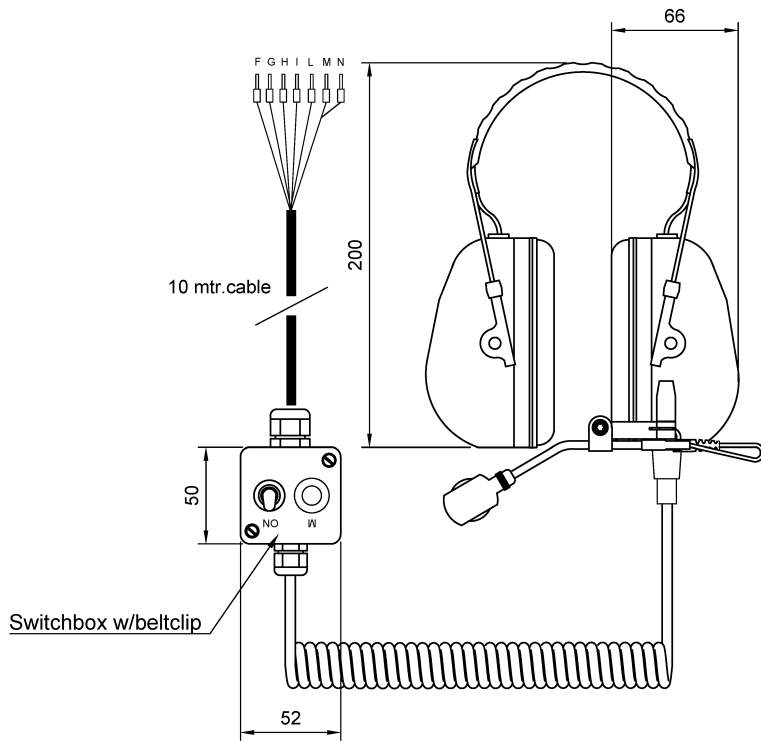
Replacement item: [1020600767](#)

---

### Description

- ✓ Headset for connection direct to a VMP station
- ✓ Includes switchbox with ON / OFF and talk pushbutton w/ belt clip
- ✓ Standard with 10 meter cable
- ✓ Includes headset holder for wall mounting
- ✓ For use in noisy areas

### Technical Dimensions



Mount bracket, 1.2mm stainless steel

# Specifications

## GENERAL

Connections	Direct in a VMP-station
Headset	MT 7H7A
Colour	Black
IP class	IP-54
Dimensions	See drawing
Weight	1.1 kg

ORDER NUMBER	DESCRIPTION	SHIP WEIGHT
1020600750	VMP-36-PEL Headset with boom microphone and 10 meter cable	1.1 kg
2330040012	MT90-02 Throat Mic. for VSP-36-PEL(P), P-MT7, VMP-36-PEL(P)	

## Used With



Industrial Substation

Heavy Duty



Industrial Master Station

Noice Cancelling



Light Industrial Master Station



Industrial Substation

Heavy Duty



## Industrial Master Station

Heavy Duty