

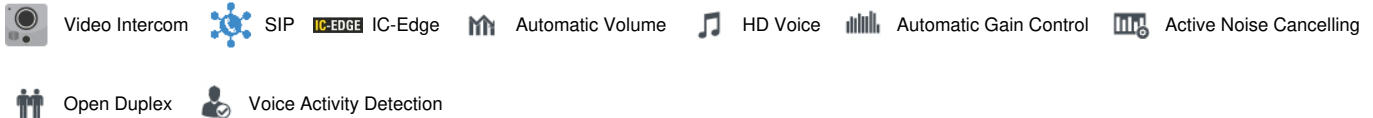
1008560101

ZMK-1 | Multi-purpose IP Intercom Module

Zenitel Multipurpose Kit



- ✓ Build tailored door entry help points and information terminals powered by Zenitel technology
- ✓ Expand capabilities by connecting 3rd party devices such as touchscreen, keypad, camera, and microphone
- ✓ Reduced development cost with open standard connectors and interfaces such as USB, HDMI, and dry contacts
- ✓ Zenitel audio presence - Crystal clear audio
- ✓ ONVIF Compatible
- ✓ Special audio functions like automatic volume control, sound level detection, and digital noise reduction provide high speech quality in any situation.
- ✓ Full open duplex provides free-flowing hands-free communication.
- ✓ High quality and high power 15W audio amplifier

[Learn more](#)

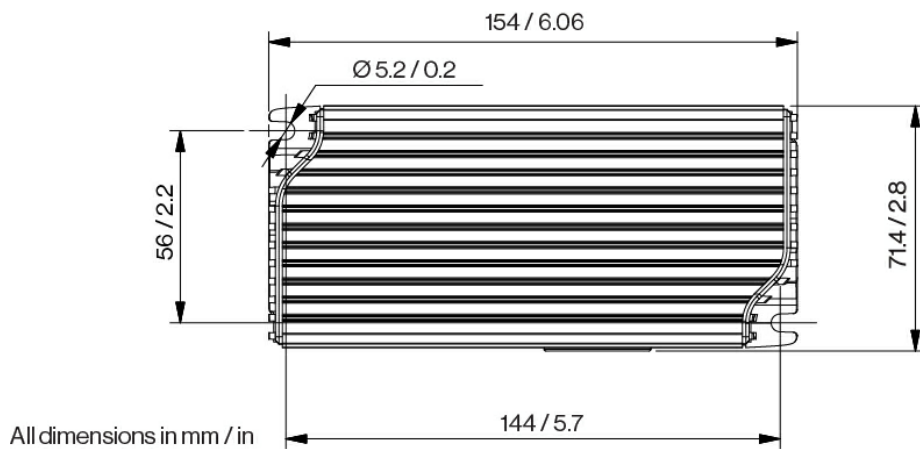
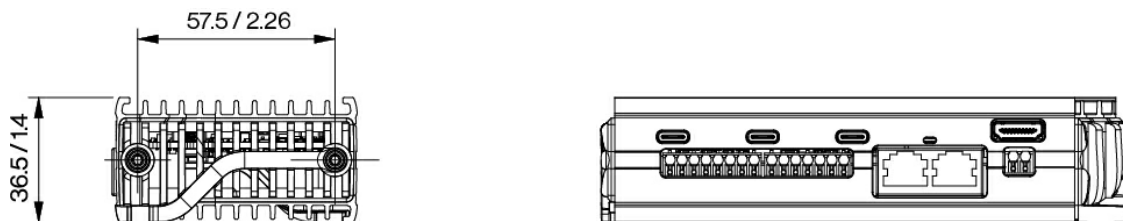
Description

Zenitel's Multi-purpose IP Intercom Module has an innate interoperability with 3rd party devices through standard interfaces and connectors, making it ideal choice for your personalized door entry communication solutions. ZMK-1 is a one-stop communication hub. It provides a variety of easily accessible connection options for audio and video devices, display devices such as touch screens, and access control.

With a front-end user interface that your customers have been looking for, you can provide them with the flexibility they need. Easy to customize. Easy to install. Easy configure.

See also: additional documentation on wiki.zenitel.com

Technical Dimensions



Specifications

AUDIO

Dynamic noise cancellation	Yes
Codecs	G.711, G.722, G.729
Frequency range, G.722 Codec	200 Hz - 7000 Hz
Audio technology	Modes: Full open duplex, switched open duplex
	Sound level detection (scream alarm)
	Automatic gain control
	Automatic volume control
Rated internal speaker amplifier power (1% THD+N)	15W
Rated speaker impedance	8 ohm
Supported microphones	Electret & dynamic
Audio line level input	Yes (1Vrms)
Audio line level output	Yes (1Vrms)

HARDWARE

Ethernet connector	2 x RJ45
USB	1x USB-C, USB 2.0 (5V 1.5A current capability). 2x USB-C, USB 3.0 (5V 1.5A current capability)
HDMI	HDMI Display output
All other connectors	Tool less, spring loaded terminals
General input and outputs	2 (configurable)
Outputs	12mA as LED drivers
Change-over relay	NO+COM (2A, 60W, SELV)
Power options	PoE and/or external power supply
PoE (Power over Ethernet)	802.3bt Type 3 Class 5 (40W) (recommended). Active power monitoring.
External power supply	24-48VDC, 40W

NETWORKING AND PROTOCOLS

Protocols	IPv4 (with DiffServ), SIP, TCP, UDP, HTTPS, TFTP, RTP, DHCP, SNMP, ONVIF, CCoIPÁ®, NTP
LAN protocols	Power over Ethernet (IEEE 802.3 bt) Network Access Control (IEEE 802.1x)
Advanced supervision functions	Tone test, status reports, SNMP support
SIP support	RFC 3261 (SIP base standard) RFC 3515 (SIP refer) RFC 2976 (SIP info)
DTMF support	RFC 2833, 2976 (SIP info)

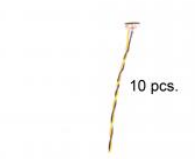
ENVIRONMENT

Operating temperature range	-40° to 55° C / -40° to 131° F
Storage temperature range	-40° to 70° C / -40° to 158° F

OTHER SPECIFICATIONS

Dimensions (HxWxD)	36.5 x 154 x 71.4 mm / 1.4" x 6.2" x 2.8"
Weight	320g
Warranty	2 Years standard warranty, extendible up to total of 5 years (additional fee)

Accessories



TA-17



TA-16