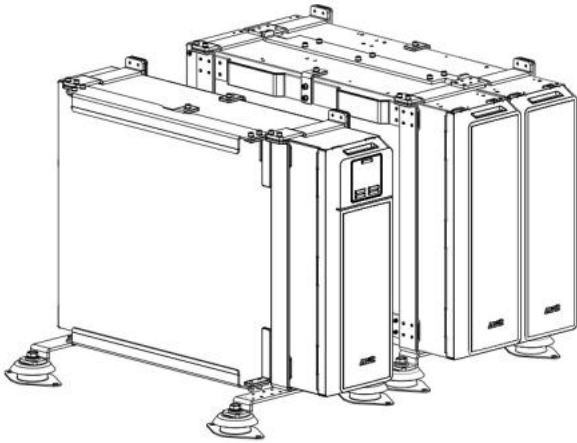


2970000136

UPS-APC-4500-230T

Online UPS w/extra batt. - 4500W/30min, 230VAC - Tower mount



- ✓ 2x Tower mounting brackets with 4x vibration dampers
- ✓ 2x Extra battery
- ✓ Runtime: 4500W / 30 minutes
- ✓ DNV-GL Type Approved

Description

The APC Smart-UPS UPS-APC-4500-230T is a reliable and powerful uninterruptible power supply (UPS) designed specifically for tower-mounted applications in the maritime industry. With a 5kVA/4.5kW double-conversion on-line design, this tower UPS provides pure sine wave power and extended runtime to support critical electronics during power disruptions at sea. The UPS-APC-4500-230T offers hard wire 3-wire (1P+N+E) input, 6x IEC 320 C13 and 4x IEC 320 C19 outlets, 2x IEC jumper cables, an embedded Network Management Card for UPS network-based monitoring and management, and an additional SmartSlot for optional accessory cards such as the Dry Contact I/O card.

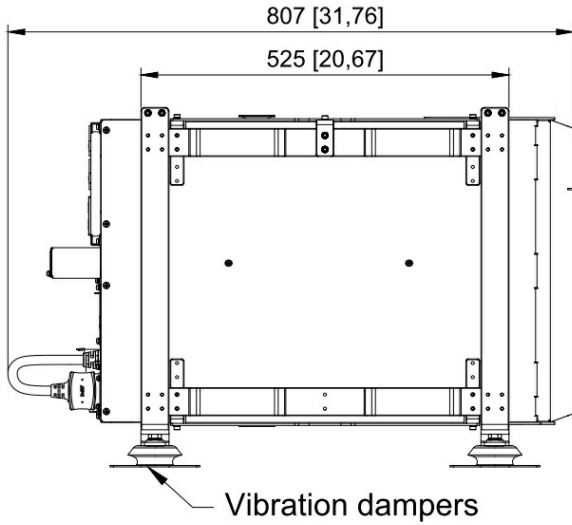
Designed for many applications in controlled Marine environments, the UPS-APC-4500-230T is ideal for a range of critical systems on board, including servers and networking devices, communication systems such as intercom or public address systems, and CCTV. If you are limited on space in your cabinet, the UPS-APC-3000-230T is a great option as it includes a secure tower bolt-down vibration isolation kit that allows for floor mounting next to your equipment. This kit adds stability during rough seas, making it a reliable choice for use in the maritime industry.

In terms of runtime, the UPS-APC-4500-230T is capable of providing extended power to critical electronics with the following estimated runtimes based on load: 73 minutes at 2500W, 70 minutes at 2600W, 60 minutes at 3000W, 50 minutes at 3500W, 43 minutes at 4000W, and 38 minutes at 4500W. These estimates may vary based on environmental factors and the age of the UPS battery.

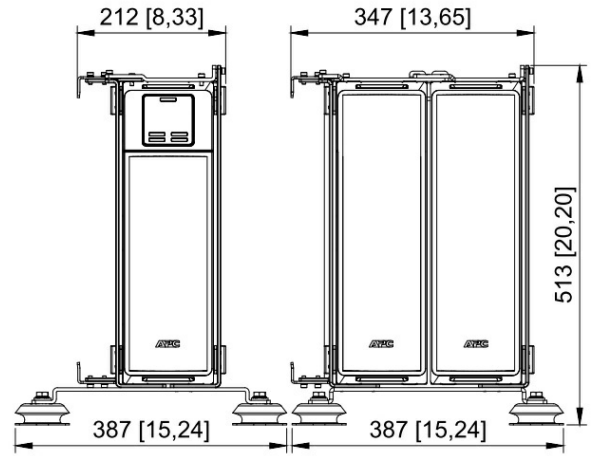
Whether you are looking to protect communication systems, servers, or other critical electronics on board your vessel, the APC Smart-UPS UPS-APC-4500-230T is a reliable and comprehensive solution for your power protection needs.

Technical Dimensions

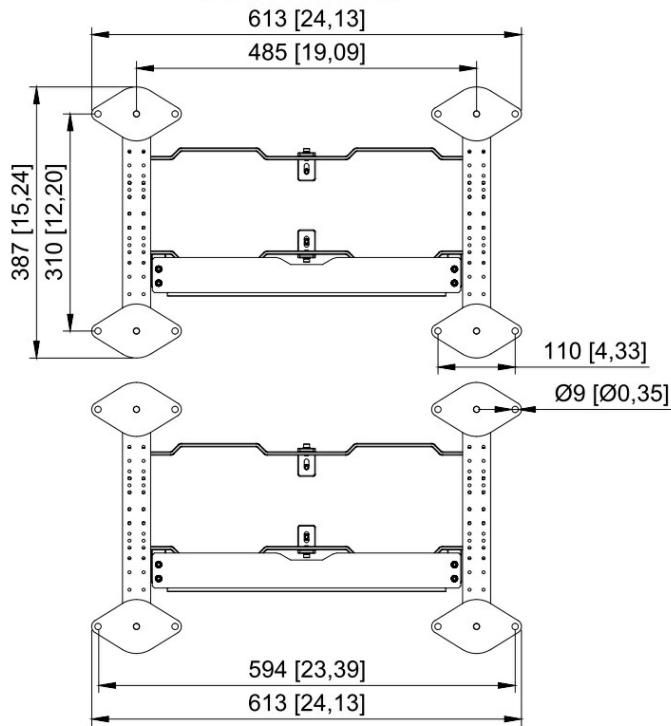
SIDE VIEW



FRONT VIEW



BOTTOM VIEW



Specifications

GENERAL

UPS model	SRT5KRMXLIM
Battery model	2x SRT192RMBPM
W	4500 W
VA	5000 VA
Architecture	Double-conversion on-line pure sine wave UPS
Main Input Voltage	230V
Other Input Voltage	220V - 240V
Main Output Voltage	230 V
Other Output Voltage	220V - 240V
UPS Dimensions HxWxD	130mm x 432mm x 711mm (5in x 17in x 28in)
UPS Weight	56.6 kg (124.8 lb)
External Battery Module, Dimensions HxWxD	2x 130mm x 432mm x 682mm (5in x 17in x 27in)
External Battery Module, Weight	2x 91 kg (200 lb)
2x SRT192RMBPM Battery	Estimated time: 73 minutes at 2500W, 70 minutes at 2600W, 60 minutes at 3000W, 50 minutes at 3500W, 43 minutes at 4000W, and 38 minutes at 4500W
IP Rating	IP20