

2310111178

OC-NDC-4MP

4 MP Anti Corrosion Network Dome Camera



- ✓ Up to 4 megapixel high resolution
- ✓ 120dB Wide Dynamic Range
- ✓ Three video streams
- ✓ H.265, H.265+, H.264, H.264+
- ✓ 6 behavior analyses, 2 exception detections, 1 recognition
- ✓ Support on-board storage, up to 128GB
- ✓ IR range: 10 m
- ✓ DC 12V/PoE
- ✓ Anti-Corrosion Standard: WF-2, NEMA 4X, C5-M
- ✓ IP67



IP67 Video Network

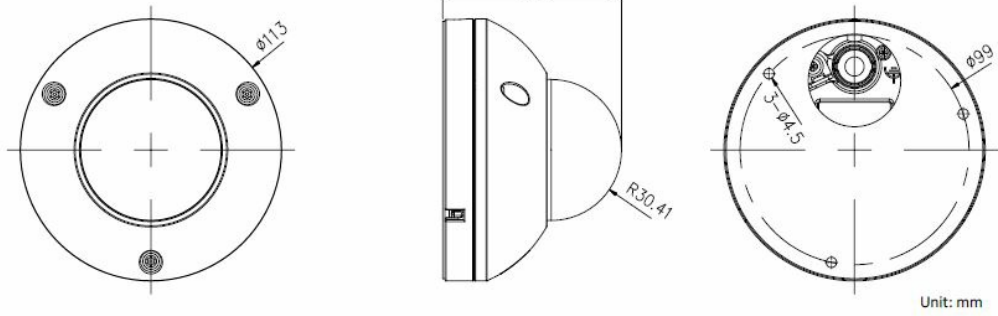
Description

The OC-NDC 4MP has a SUS 316L stainless steel enclosure, protecting cameras to be used in corrosive environments, providing reliability and longevity compared to standard cameras. It is IP67 water resistant, preventing water ingress for outdoor use. The camera supports H.265+/H.265/H.264+/H.264 encoding: efficient compression technology that saves storage space and reduces bandwidth requirements. The Lens angle adjustment allows the camera lens to be adjusted to manually focus in different directions (pan/tilt/rotate), for easy installation.

Technical Dimensions



Dimension



Specifications

CAMERA

Image Sensor	1/3" Progressive Scan CMOS
Min. Illumination	0.01Lux @(F1.2, AGC ON) ,0 Lux with IR on 0.028 Lux @(F2.0, AGC ON), 0 Lux with IR on
Shutter Speed	1 s to 1/100,000 s, support slow shutter
Lens	4mm, horizontal field of view: 83°, vertical field of view: 44.7° 6mm horizontal field of view: 55.4°, vertical field of view: 30.4°
Lens Mount	M12
Day & Night	IR cut filter
DNR	3D DNR
Wide Dynamic Range	120dB
Angle Adjustment	Tilt: 0° to 75°; Pan: -30° to 30°; Rotate: 0° to 360°

COMPRESSION STANDARD

Video Compression	Main stream: H.265/H.264 Sub stream: H.265/H.264/MJPEG Third stream: H.265/H.264/MJPEG
H.264 Type	Baseline profile/Main Profile/High profile
H.264+	Support
H.265 Type	Main profile
H.265+	Support
Video Bit Rate	32 Kbps to 16 Mbps
Audio Compression	G.711/G.722.1/G.726/MP 2L2/PCM
Audio Bit Rate	64Kbps(G.711)/16Kbps(G .722.1)/16Kbps(G.726)/32 -128Kbps(MP2L2)

IMAGE

Max. Resolution	2560 × 1440
Main Stream	50Hz: 25fps (2560 × 1440, 1920 × 1080, 1280 × 720, 528 × 384)
Max. Frame Rate	60Hz: 24fps (2560 × 1440, 1920 × 1080, 1280 × 720, 528 × 384)
Sub Stream	50Hz: 25fps (704 × 576, 640 × 480, 352 × 288, 320 × 240)
Max. Frame Rate	60Hz: 24fps (704 × 480, 640 × 480, 352 × 240, 320 × 240)
Third Stream	50Hz: 1fps (1920 × 1080, 1280 × 960, 1280 × 720, 704 × 576, 640 × 480, 352 × 288, 320 × 240)
Max. Frame Rate	60Hz: 1fps (1920 × 1080, 1280 × 960, 1280 × 720, 704 × 480, 640 × 480, 352 × 240, 320 × 240)
Image Enhancement	BLC/3D DNR/Defog
Image Settings	Rotate mode, saturation, brightness, contrast, etc., adjustable by client software or web browser
Region of Interest	Support 4 customized region for each stream, and face dynamic tracking
Target Cropping	Support
Day/Night Switch	Auto/Schedule/Triggered by Alarm In
Picture Overlay	LOGO picture can be overlaid on video with 128 × 128 24bit bmp format

NETWORK

Network Storage	Support Micro SD/SDHC/SDXC card (up to 128 GB) local storage and NAS (NFS,SMB/CIFS), ANR
Alarm Trigger	Motion detection, tampering alarm, HDD full, HDD error, network disconnected, IP address conflicted, illegal login
Protocols	TCP/IP, ICMP, HTTP, HTTPS, FTP, DHCP, DNS, DDNS, RTP, RTSP, RTCP
Standard	ONVIF (PROFILE S, PROFILE G), ISAPI
General Function	Mirror, anti flicker, heartbeat, watermark, password protection, privacy mask

INTERFACE

Communication Interface	1 RJ45 10M/100M self-adaptive Ethernet port
Alarm	1 alarm input, 1 alarm output
On-board Storage	Built-in Micro SD/SDHC/SDXC slot, up to 128GB
	*You are recommended to purchase memory card together with the product if needed. After ordering, the memory card will be installed to product during manufacturing.

SMART FEATURE SET

Behavior Analysis	Line crossing detection, intrusion detection, region entrance detection, region exiting detection, unattended baggage detection, object removal detection
Line Crossing Detection	Cross a pre-defined virtual line
Intrusion Detection	Enter and loiter in a pre-defined virtual region
Region Entrance Detection	Enter a pre-defined virtual region from the outside place
Region Exiting Detection	Exit from a pre-defined virtual region
Unattended Baggage	Objects left over in the pre-defined region such as the baggage, purse, dangerous materials
Object Removal	Objects removed from the pre-defined region, such as the exhibits on display.
Exception Detections	Scene change detection, defocus detection
Face Detection	Human face appears in the image can be detected and trigger linkage method

GENERAL

Operating Conditions	-30°C to +60 °C (-22 °F to +140 °F), Humidity less than 95% (non-condensing)
Power Supply	DC 12V, 0.4A, 5W, terminal block PoE (802.3af, class 3), 0.1A
Power Consumption	Max. 5W
IR Range	10 m
Housing Material	SUS 316L
Anti-Corrosion Standard	WF-2, NEMA 4X C5-M: 720H neutral salt spray, 480H water condensation;
	Exterior environments: industrial areas with high humidity and aggressive atmosphere and coastal areas with high salinity;
	Interior environments: buildings or areas with almost permanent condensation and with high pollution.
Ingress Protection	IP67
Dimensions	Camera: Φ 113 × 77.3 mm (4.45" × 3.04") Package: 257 × 167 × 145 mm (10.12" × 6.57" × 5.71")
Weight	Camera: 1680 g (3.7 lb.)

APPROVAL

EMC	FCC: FCC SDoC(ANSI C63.4,FCC Part15 sub B)
	CE: CE EMC(EN 50130 4:2011+A1:2014,EN 55032:2015,EN 61000 3 2:2014,EN 61000 3 3:2013)
	RCM: AS/NZS 60950.1:2003 + Am1, Am2 and Am3,AS/NZS CISPR 32:2015
	IC: IC VoC(ICES 003 Issue 7:2020)
	KC: KN 301489 1,KN 301489 17,RRA NOTICE 2017 14(2017.12.05),RRA NOTICE 2017 19(2017.12.28)
Safety	UL: UL 60950 1:2014,CAN/CSA C22.2 No. 60950 1 07:2014
	CB: IEC 60950 1
Environment	CE: CE RoHS(RoHS Directive 2011/65/EU+2015/863)

Accessories



SST 316L Junction Box

Junction box for OC-series
CCTV cameras DS-1284ZJ-
M



OC-NDC Wall Mount Bracket

Anti corrosion wall bracket for
OC-NDC CCTV camera