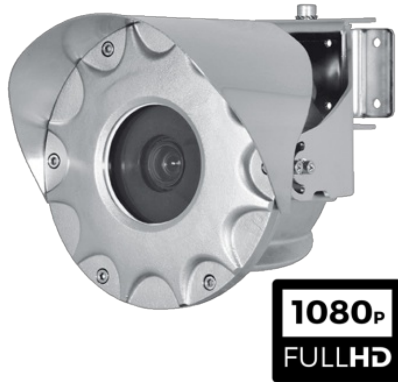





2310131040

Maximus MMX24AZA Ex-proof Camera

Ex Proof Camera



- ✓ Certifications for use in Zones 1 and 2, IIB T6 or T5 Group (Gas) and in Zones 21 and 22, IIIC T85°C or T100°C Group (Dust)
- ✓ AISI 316L stainless steel construction
- ✓ Supports for ceiling, wall, and parapet installation
- ✓ Camera Full HD 1080p, 3x with image stabilizer

ONVIF ONVIF Conformant  IP66  IP67  Atex  H.264

Description

Maximus MMX24AZA Ex-Proof Camera is perfect for efficient video surveillance and control of processes in hazardous environments where the atmosphere is potentially explosive due to the presence of inflammable gases or dust.

The housing is entirely manufactured in stainless steel AISI 316L offering complete resistance to corrosion. It can be installed in narrow locations due to its compactness.

The IP66/IP67/IP68/IP69 level guarantees complete protection against bad weather and water immersion. Another important feature of the CCTV camera is the extended certification temperature range of -40°C to 70°C.

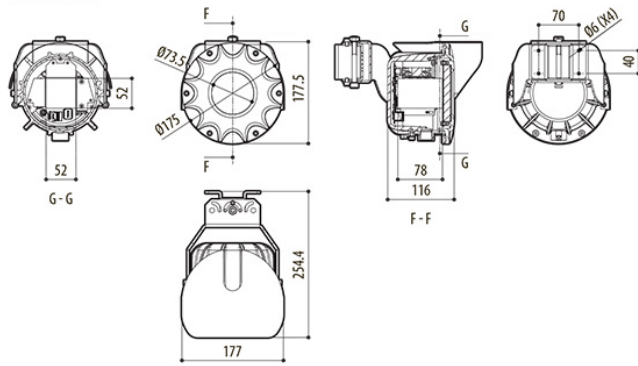
MAXIMUS MMX24AZA Ex-Proof Camera

The camera is Lloyd's Register Type Approval System Test Specification Number 1 certified and therefore, can be used in Marine and Offshore applications for environmental categories ENV1, ENV2, ENV3 and ENV5 (eg. passenger ships, open-air decks, closed spaces and technical areas that may be subject to heat generated by other equipment or potentially explosive areas).

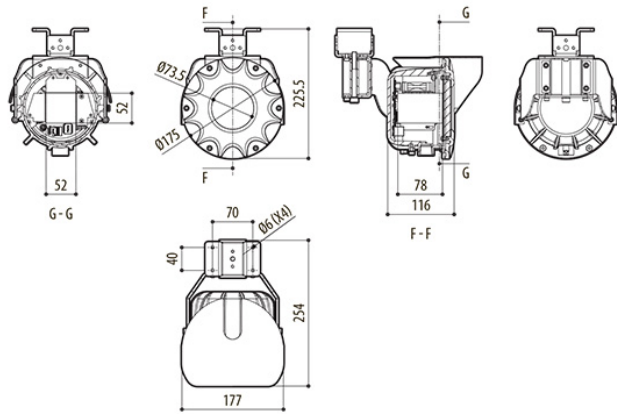
Technical Dimensions

The indicated measurements are expressed in millimetres.

WALL MOUNTING



PARAPET OR CEILING MOUNTING



MAXIMUS MMX

Specifications

DESCRIPTION

Weight	8.5kg
Cable entry	1 hole, 1/2" NPT. Cable gland Ex d 1/2"NPT (with pre-installed cable only)
Supply voltage/Current consumption	24Vac \pm 10%, 1.32A, 50/60Hz, 24Vdc \pm 5%, 0.9A, PoE+ (IEEE 802.3at)
Ethernet connection	RJ45 100 Base-TX
Device configuration	TCP/IPv4-IPv6, UDP/IPv4-IPv6, HTTP, HTTPS, NTP, DHCP, WSDISCOVERY, DSCP, IGMP (Multicast), SOAP, DNS
Streaming	RTSP, RTCP, RTP/IPv4-IPv6, HTTP, Multicast
Video compression	H.264/AVC, MJPEG, MPEG4, snapshot JPEG
Video streams	3 independent video streams Full HD
Image resolution	from 320x180pixel up to 1920x1080pixel in 8 steps
Camera	Day/Night Full HD 3x
Resolution	Full HD 1080p (1920x1080)
Image Sensor	1/2" type Exmor™ CMOS sensor
Effective Pixels	Approx. 2.17 Megapixels
Signal system	Max 1080p/30fps
Minimum Illumination (ICR-OFF)	Color, 0.15lx, (1/30s) 0.0375lx, (1/7.5s), (Slow Shutter)
Minimum Illumination (ICR-ON)	B/W, 0.1lx, (1/30s), 0.002lx, (1/7.5s), (Slow Shutter)
Lens	From f= 3.6mm (wide) up to 10mm (tele), From F1.5 up to F2.7
Zoom	3x (96x with digital zoom)
Horizontal Viewing Angle	From 88.4° (wide) up to 40.7° (tele)
Minimum object distance	to 300mm (11.8in) (wide) up to 1000mm (39.4in) (tele)
Shutter speed	From 1/8s up to 1/30000s, 14 steps
White balance	Auto, Indoor, Outdoor, Manual
Wide Dynamic Range	On/Off
Operating temperature	from -40°C (-40°F) up to +65°C (149°F)
Certification temperature	from -40°C (-40°F) up to +65°C (149°F) (T6/T85°C) or +70°C (158°F) (T5/T100°C)
IP protection degree	IP66, IP67, IP68 (2 hours, 5m (16ft)), IP69
Dimensions (WxHxL)	See Dimension Drawing