





2310111078

QNP-6320HS Stainless PTZ Dome Network Camera



Dome Network Camera

- ✓ Maximum 2MP (1920 x 1080) resolution
- ✓ 4.44 ~ 142.6 (32x) optical zoom
- ✓ H.265, H.264, MJPEG codec support, Multiple streaming
- ✓ WiseStreamII support
- ✓ Day & Night (ICR), WDR (120dB)
- ✓ Directional detection, Tampering, Motion detection
- ✓ SD/SDHC/SDXC 1 slot 256GB
- ✓ IP67, IP66, NEMA4X, IK10
- ✓ Material : SUS316L

ONVIF ONVIF Conformant  IP66  IP67  IK10  H.264

Description

The QNP-6320HS Stainless PTZ Dome Network Camera features 2MP resolution, WiseStreamII support, triple codec H.265/H.264/MJPEG, 4.44 ~ 142.6mm (32x) optical zoom ratio, Day & Night (ICR), PoE+ (IEEE802.3at, Class4), 120dB WDR, Directional detection, Tampering, Motion detection, Audio detection, Digital auto tracking, and SD card slot (SD/SDHC/SDXC memory slot (256GB)).

QNP-6320HS Stainless PTZ Dome Network Camera

It has compliance with ONVIF profiles G, S, and T can be used with a wide range of surveillance devices. This PTZ camera is housed in an IP67-, NEMA 4X-, and IK10-rated stainless steel enclosure that is suitable for outdoor marine applications. With the IR cut filter, the camera can be used for both day and night functionality.

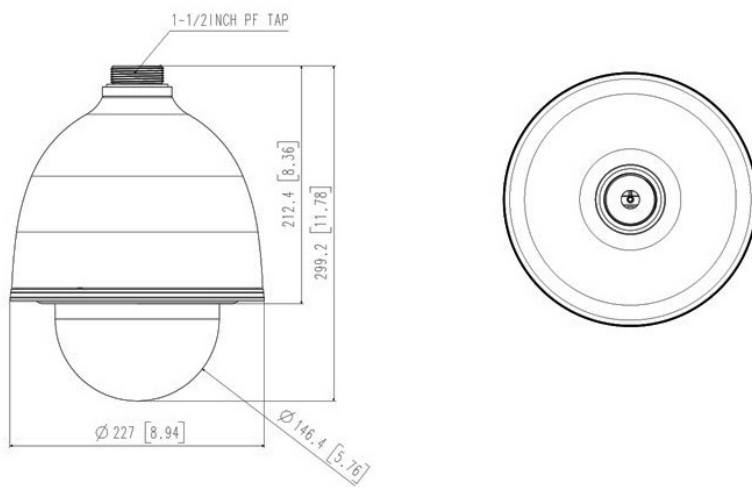
Improved bandwidth efficiency with WiseStreamII support, H.265

WiseStreamII, the advanced compression technology, can reduce bandwidth by 50% by using dynamic technologies. When combined with H.265, the bandwidth efficiency can be improved up to 75% compared to the current H.264 technology.

Streaming options include Unicast (20 users) and Multicast (128 users) with Multiple streaming up to 10 profiles.

Supported browsers include Chrome, Safari, Firefox, and Edge.

Technical Dimensions



Specifications

VIDEO

Imaging Device	1/2.8" CMOS
Resolution	1920x1080, 1280x1024, 1280x960, 1280x720, 1024x768, 800x600, 800x448, 720x576, 720x480, 640x480, 640x360, 320x240
Max. Framerate	H.265/H.264: Max. 60fps/50fps(60Hz/50Hz) MJPEG: Max. 30fps/25fps(60Hz/50Hz)
Min. Illumination	Color: 0.05Lux(F1.6, 1/30sec) BW: 0.005Lux(F1.6, 1/30sec)

LENS

Focal Length (Zoom Ratio)	4.44~142.6mm(32x) zoom
Max. Aperture Ratio	F1.6 (Wide) ~ F4.4(Tele)
Angular Field of View	H: 64.66(Wide)~2.29(Tele) / V: 38.08(Wide)~1.30(Tele)
Focus Control	Oneshot AF
Lens Type	DC auto Iris
Pan / Tilt Range	360° Endless/ 105(-15~90)

OPERATIONAL

Min. Object Distance	1.5m (4.92ft)(Wide), 2m (6.56ft) (Tele)
Camera Title	Displayed up to 85 characters
Day & Night	Auto (ICR)
Backlight Compensation	BLC, HLC, WDR, SSSDR
Wide Dynamic Range	120dB
Digital Noise Reduction	SSNR V
Motion Detection	8ea, 8point polygonal zones
Privacy Masking	32ea, Quadrangle Support - Color: Grey/Green/Red/Blue/Black/White - Solid/Mosaic
Gain Control	Off / Low / Middle / High
White Balance	ATW / AWC / Manual / Indoor / Outdoor / Mercury / Sodium
Digital Image Stabilization	Support(built-in gyro sensor)
Electronic Shutter Speed	Minimum / Maximum / Anti flicker (2~1/12,000sec)
Video Rotation	Flip, Mirror
Intelligent Video Analytics	Directional detection, Motion detection, Enter/Exit, Tampering, Virtual line * Audio detection(with NW I/O Box)
Alarm Triggers	Analytics, Network disconnect * Alarm input(with NW I/O Box)
Alarm Events	File upload via FTP and e-mail, Notification via e-mail, SD/SDHC/SDXC or NAS recording at event triggers, PTZ Preset, Handover * Alarm output(with NW I/O Box)

NETWORK

Ethernet	RJ-45 (10/100BASE-T)
Video Compression	H.265/H.264,MJPEG
Smart Codec	Manual(5ea area), WiseStream
Bitrate Control	H.264/H.265: CBR or VBR, MJPEG: VBR
Streaming	Unicast(20 users) / Multicast (128 user), Multiple streaming(Up to 10 profiles)
IP	IPv4, IPv6
Protocol	TCP/IP, UDP/IP, RTP(UDP), RTP(TCP), RTCP,RTSP, NTP, HTTP, HTTPS, SSL/TLS, DHCP, FTP, SMTP, ICMP, IGMP, SNMPv1/v2c/v3(MIB-2), ARP, DNS, DDNS, QoS, PIM-SM, UPnP, Bonjour, LLDP, SRTP
Security	HTTPS(SSL) Login Authentication, Digest Login Authentication, IP Address Filtering, User access log, 802.1X Authentication(EAP-TLS, EAP-LEAP)
Storage	Micro SD/SDHC/SDXC 1slot 256GB
Application Programming Interface	ONVIF Profile S/G/T, SUNAPI(HTTP API), Wisenet open platform
Webpage Language	English, Korean, Chinese, French, Italian, Spanish, German, Japanese, Russian, Swedish, Portuguese, Czech, Polish, Turkish, Dutch, Hungarian, Greek

ENVIRONMENTAL

Operating Temperature / Humidity	Normal : -35°C~+55°(-31°F ~ +131°F) / Intermittent : -40°C~+60°C(-40°F ~ +140°F) * Start up should be done at above -25°C Less than 95% RH(Non-condensing)
Storage Temperature / Humidity	-50°C~+60°C (-58°F~+140°F) / Less than 95% RH(Non-condensing)

ELECTRICAL

Input Voltage / Current	PoE+(IEEE802.3at, Class4)
Power Consumption	Max. 23W, Typ. 14W

MECHANICAL

Color / Material	Silver / Stainless (SUS316L)
Dimensions (WxH)	Ø227x299.2mm (8.94x11.78")
Weight	5.4Kg (11.93 lb)

Accessories



SBP-300WMS - wall mount bracket

Wall mount bracket for XNP-6320, SST.