

2310102107

## IIR-50850-SR Infrared Illuminator

### Infrared Light



- ✓ Integrated adjustable photocell
- ✓ Adjustable IR intensity
- ✓ Interchangeable beam pattern diffusers to match beam to camera
- ✓ Telemetry input and photocell output for external switching
- ✓ Self-cleaning lens coating technology

 IP66

## Description

The IIR-50850-SR Infrared illuminator provides covert or semi-covert lighting for short-range surveillance applications.

IR illumination dramatically improves nighttime imaging and reduces noise and bit rates. The set of interchangeable diffuser lenses means that beam patterns can be selected that match your application to provide accurately illuminated scenes.

### IIR-50850-SR Infrared illuminator

The IIR-50850-SR Infrared illuminator has a self-cleaning window that reduces maintenance requirements. It is specifically designed for energy efficient operation and therefore, the illuminator can be powered directly from any 12 to 32 VDC or 24 VAC supply for faster, flexible, and cost-effective installation.

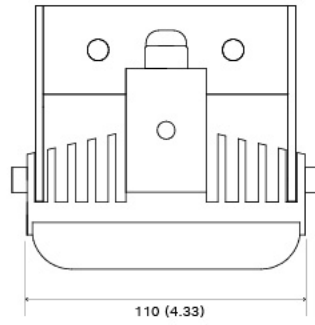
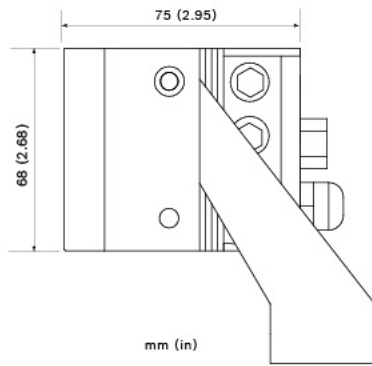
The IIR-50850-SR Infrared illuminator has energy efficient surface-mount high-power LEDs that deliver maximum illumination with reduced power consumption.

Additionally, the advanced electronic control circuitry delivers improved thermal management, long life, and low cost of ownership. A pressure equalization valve prevents thermal expansion and pressure cycling.

Overall, the IIR-50850-SR Infrared illuminator offers easy access to power and photocell adjustment for quick and easy installation.

# Technical Dimensions

## Dimensions



# Specifications

## RANGE 850NM

Beam pattern diffuser	Achievable Distance*	HFOV
10°	156 m	27 m
20°	106 m	37 m
30°	78 m	42 m
60°	49 m	57 m
80°	35 m	59 m
95°	25 m	54 m

\* Actual illumination distance achieved is dependent on camera and lens characteristics.

## OPTICAL

Wavelength	850nm
IR control	Adjustable IR intensity (10% to 100%)
Day/night switch	Photocell, sensitivity adjustable (20 lx to 70 lx)
Beam angles	10°, 20°, 30°, 60°, 80°, and 95°

## MECHANICAL

Housing	Robust anodized aluminum extrusion, black
Front window	Polycarbonate high transmittance (vandalresistant) with self-cleaning technology
Mount	Black powder coated stainless steel U-bracket (adjustable with M6 socket-head wrench)
Cable	3 m
Dimensions (W x H x D)	110 x 68 x 75 mm
Bracket dimensions (W x H x D)	110 x 125 x 35 mm
Weight	750 g
Bracket Weight	0.2 kg
Power supply	12 to 32 VDC or 24 VAC ±10%
Power consumption	13 W

## ENVIRONMENTAL

Operation Temperature Range	-50 °C to +50 °C (-58 °F to +122 °F)
Protection	IP66