

2310111172

SST 316L Junction Box for OC-series Cameras



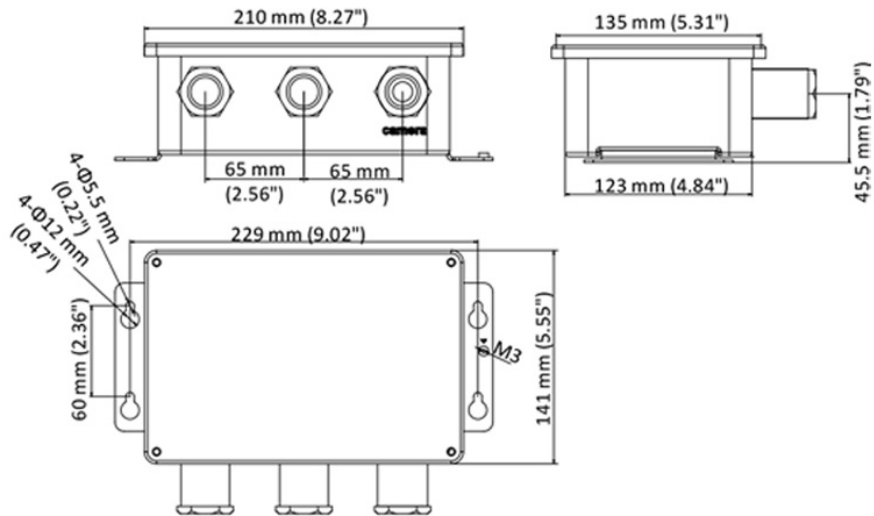
Junction box

- ✓ Stainless steel with anticorrosive coating
- ✓ Silver moon gray appearance
- ✓ Suitable for indoor and outdoor installation

Description

The SST 316L Junction box for OC-series cameras should be installed on a flat surface and waterproof rubber is needed for outdoor application. The wall should be able to support at least 3 times the total weight of the camera and the accessories. The maximum load capacity of the junction box is 3 kg.

Technical Dimensions



Specifications

PARAMETERS

Appearance	Silver Moon Gray
Application	Suitable for indoor and outdoor application
Material	Stainless Steel
Dimension	229 mm x 210 mm x 135 mm
Weight	Approx. 1981 g