

2310131032

MPXWBA Wall bracket AISI 316L

Wall Bracket



DISCONTINUED

- ✓ AISI 316L electropolished stainless steel
- ✓ 40 kg load rating

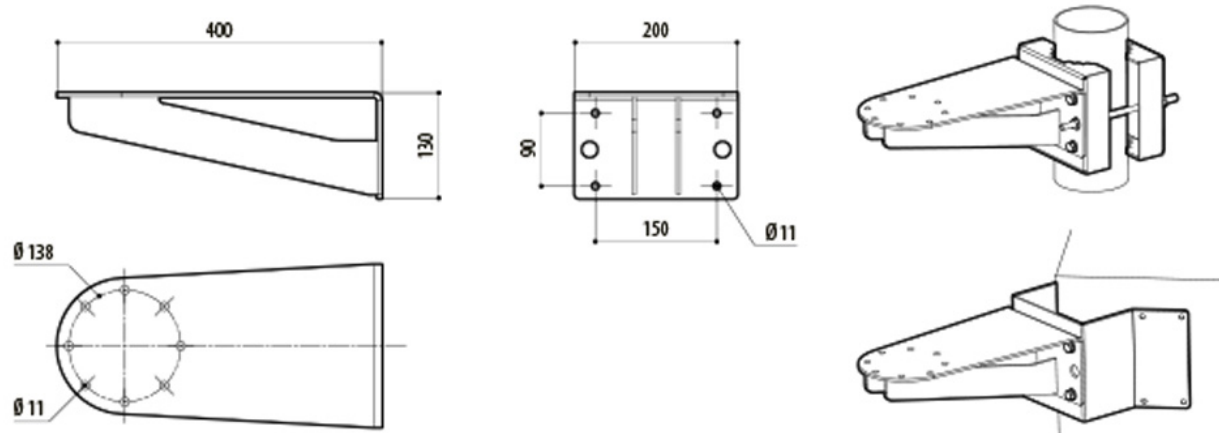
Description

MPXWBA Wall bracket AISI 316L is a thick AISI 316L stainless steel MAXIMUS Pan & Tilt bracket.

Technical Dimensions

TECHNICAL DRAWINGS

The indicated measurements are expressed in millimetres.



MPXWBA

Specifications

MECHANICAL

Material	AISI 316L electropolished stainless steel
Load Rating	40 kg
Length	400mm
Unit Weight	5.4 kg