

2310111132

Back Box for Autodome IP 5000i

Wall Ceiling Mount



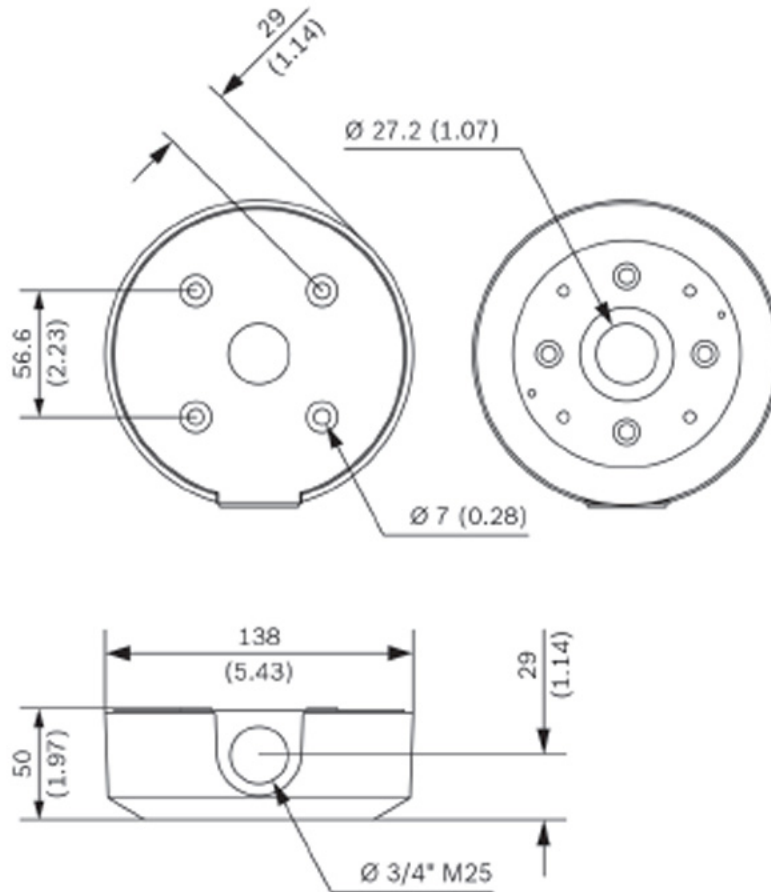
- ✓ Modular design
- ✓ Weather resistant finish
- ✓ Vandal resistant

 IK10

Description

The Back Box for Autodome IP 5000i enables installation of the pendant wall or pipe mount with conduits (M25 or 3/4inch).

Technical Dimensions



Dimensions in mm (inch)

Specifications

MECHANICAL

Dimensions	Φ 138 mm, H = 50 mm
Weight	428 g
Standard Color	White (RAL 9003)
Construction Material	Aluminum alloy

PARTS INCLUDED

	1 SMB for Pendant wall mount or Ceiling mount
	4 M5 x 16 mm pan head Torx screw with Zinc coating
	1 Rubber conduit plug

CERTIFICATIONS AND APPROVALS

Salt mist	IEC60068-2-52
Vibration	NEMA TS2
Shock	IEC60068-2-27
Impact	IK10