



2310131038

DS-2XE6222F-IS/316L 2MP Network Ex-Proof Camera

Ex Proof Camera



- ✓ Fixed lens 4mm (90 deg) included. Alternative lenses are optional
- ✓ 30m IR illumination
- ✓ 100-240VAC or PoE supported (7W)
- ✓ H.265+/H.265/H.264+/H.264
- ✓ IP68 / IK08
- ✓ ATEX / IECEx approved
- ✓ 1.3 m pigtail included

 IK08  H.264

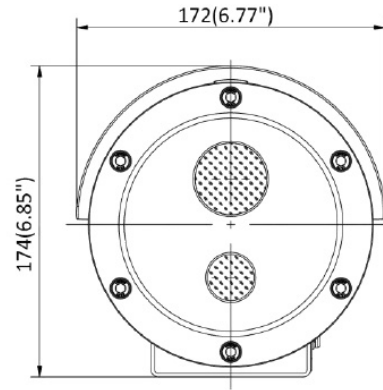
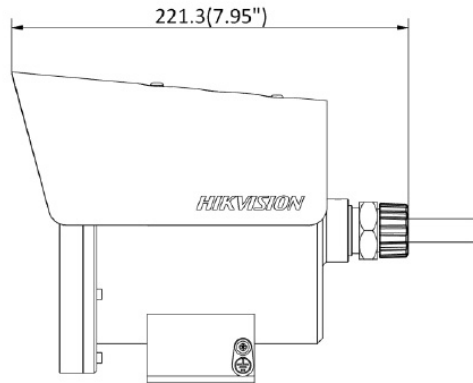
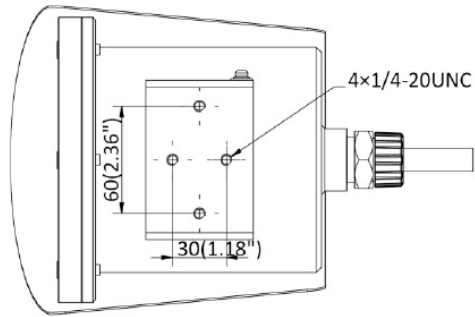
Description

The DS-2XE6222F-IS/316L 2MP Network EX-proof Camera has H.265+/H.265/H.264+/H.264 encoding providing efficient compression technology which saves storage space and reduces bandwidth requirements. It features 100 VAC to 240 VAC wide range power supply which is safer compared to a power adapter solution.

DS-2XE6222F-IS/316L 2MP Network EX-proof Camera

The DS-2XE6222F-IS/316L 2MP Network EX-proof Camera has a 316L stainless steel enclosure and anti-corrosion spray treatment, protecting the camera from damage caused by sparks or corrosive materials. It also is IP68/IK08 water resistant and vandal proof, preventing water ingress for outdoor use. The camera has been created with an explosion-proof design and has passed international ATEX & IECEx certifications. It can be used in gas and dust hazardous scenarios.

Technical Dimensions



Unit: mm (inch)

Specifications

CAMERA

Image Sensor	1/2.8" Progressive Scan CMOS
Max. Resolution	1920 × 1080
Min. Illumination	Color: 0.018 lux @ (F1.2, AGC ON), B/W: 0.006 lux @ (F1.2, AGC ON), 0 Lux with IR
Shutter Time	1 s to 1/100,000 s
Day & Night	IR cut filter

LENS

Lens Type	Fixed focal lens, 4 , 6 , 8 , and 12 mm optional
Focal Length & FOV	4 mm, horizontal FOV 83°, vertical FOV 43°, diagonal FOV 97°
	6 mm, horizontal FOV: 50°, vertical FOV 27°, diagonal FOV 59°
	8 mm, horizontal FOV 39°, vertical FOV 21°, diagonal FOV 45°
	12 mm, horizontal FOV 24°, vertical FOV 14°, diagonal FOV 28°
Lens Mount	M12
Aperture	F1.6

DORI

4 mm	D: 55.2 m, O: 21.9 m, R: 11 m, I: 5.5 m
6 mm	D: 88.3 m, O: 35 m, R: 17.7 m, I: 8.8 m
8 mm	D: 110.3 m, O: 43.8 m, R: 22.1 m, I: 11 m
12 mm	D: 171 m, O: 67.9 m, R: 34.2 m, I: 17.1 m

ILLUMINATOR

Supplement Light Type	IR
Supplement Light Range	Up to 30 m
Smart Supplement Light	Yes
IR Wavelength	850 nm

VIDEO

Main Stream	50 Hz: 25 fps (1920 × 1080, 1280 × 960, 1280 × 720)
	60 Hz: 30 fps (1920 × 1080, 1280 × 960, 1280 × 720)
Sub-Stream	50 Hz: 25 fps (704 × 576, 640 × 480, 352 × 288, 320 × 240)
	60 Hz: 30 fps (704 × 480, 640 × 480, 352 × 240, 320 × 240)
Third Stream	50 Hz: 25 fps (1920 × 1080, 1280 × 960, 1280 × 720, 704 × 576, 640 × 480, 352 × 288, 320 × 240)
	60 Hz: 30 fps (1920 × 1080, 1280 × 960, 1280 × 720, 704 × 480, 640 × 480, 352 × 240, 320 × 240)
Video Compression	Main stream: H.265/H.264/H.265+/H.264+
	Sub stream: H.265/H.264/MJPEG
	Third stream: H.265/H.264/MJPEG
Video Bit Rate	32 Kbps to 16 Mbps
H.264 Type	Baseline profile/main profile/high profile
H.265 Type	Main profile
Region of Interest (ROI)	5 customized regions for each stream, and face dynamic tracking
Target Cropping	Yes

AUDIO

Audio Type	Mono Sound
Audio Compression	G.711/G.722.1/G.726/MP2L2/PCM/AAC/MP3
Audio Bit Rate	64 Kbps (G.711)/16 Kbps (G.722.1)/16 Kbps (G.726)/32 to 192 Kbps (MP2L2)/8 to 320 Kbps (MP3)
Audio Sampling Rate	8 kHz/16 kHz/32 kHz/44.1 kHz/48 kHz
Environmental Noise Filtering	Yes

NETWORK

Protocols	TCP/IP, ICMP, HTTP, HTTPS, FTP, DHCP, DNS, DDNS, RTP, RTSP, RTCP
Simultaneous Live View	Up to 6 channels
API	Open Network Video Interface (Profile S, Profile G), PSIA, CGI, ISAPI
User/Host	Up to 32 users. 3 user levels: administrator, operator and user
Network Storage	NAS (NFS, SMB/CIFS), auto network replenishment (ANR)
Client	iVMS-4200, Hik-Connect, Hik-Central
Web Browser	Plug-in required live view: IE 8+, Chrome 41.0 to 44, Firefox 30.0 to 51, Safari 8.0 to 11 Plug-in free live view: Chrome 45.0+, Firefox 52.0+ Local service: Chrome 57.0+, Firefox 52.0+ Not recommended: Safari 11+, Edge

IMAGE

Image Settings	Rotate mode, saturation, brightness, contrast, etc., adjustable by client software or web browser
Day/Night Switch	Auto/Schedule/Alarm Trigger
Wide Dynamic Range (WDR)	120 dB
Image Enhancement	BLC/3D DNR
Privacy Mask	8 programmable polygon privacy mask
Picture Overlay	LOGO picture can be overlaid on video with 128 × 128 24bit bmp format

INTERFACE

Audio	1 line in, 1 line out
Ethernet Interface	1 RJ45 10 M/100 M self-adaptive Ethernet port
On-Board Storage	Built-in memory card slot, support microSD/SDHC/SDXC card, up to 256 GB
Alarm	1 alarm input, 1 alarm output

EVENT

Basic Event	Motion detection (support alarm triggered by specified target types (human and vehicle)), video tampering alarm, exception (network disconnected, IP address conflict, illegal login, HDD full, HDD error)
Smart Event	Line crossing detection, intrusion detection, region entrance detection, region exiting detection (support alarm triggered by specified target types (human and vehicle)) Scene change detection, audio exception detection
Linkage	Upload to FTP/NAS/memory card, notify surveillance center, send email, trigger alarm output, trigger recording, trigger capture

GENERAL

Power	100 VAC to 240 VAC, 0.15 A, 50/60 Hz, max. 7 W, terminal block
	PoE: 802.3af, Class 3, 36 to 57 V, 0.3 to 0.2 A
Dimensions	202 mm × 174 mm × 172 mm
Package Dimension	435 mm × 255 mm × 285 mm
Weight	Approx. 6.17 kg
With Package Weight	Approx. 7.20 kg
Storage Conditions	-30 °C to +60 °C. Humidity 95% or less (non-condensing)
Startup and Operating Conditions	-30°C to +60 °C. Humidity 95% or less (non-condensing)
Language	33 languages: English, Russian, Estonian, Bulgarian, Hungarian, Greek, German, Italian, Czech, Slovak, French, Polish, Dutch, Portuguese, Spanish, Romanian, Danish, Swedish, Norwegian, Finnish, Croatian, Slovenian, Serbian, Turkish, Korean, Traditional Chinese, Thai, Vietnamese, Japanese, Latvian, Lithuanian, Portuguese (Brazil), Ukrainian
General Function	Mirror, anti-flicker, heartbeat, watermark, password protection, privacy mask

APPROVAL

EMC	FCC: FCC-SDoC (ANSI C63.4, FCC Part15 sub B)
	CE: CE-EMC (EN 50130-4: 2011+A1: 2014, EN 55032: 2015, EN 61000-3-2: 2014, EN 61000-3-3:2013)
	IC: IC-VoC (ICES-003 Issue 7: 2020)
	KC: KN 301489-1, KN 301489-17, RRA NOTICE 2017-14 (2017.12.05), RRA NOTICE 2017-19 (2017.12.28)
Safety	UL (UL 60950-1:2014, CAN/CSA C22.2 No. 60950-1-07: 2014)
	CB (IEC 60950-1)
Protection	CE: CE-LVD (EN 60950-1: 2006+A11: 2009+A1: 2010+A12: 2011+A2: 2013)
	IK08 (IEC 62262:2002), IP68 (IEC 60529-2013)
Explosion-Proof Protection	ATEX: II 2G Ex db IIC T6 Gb/ II 2D Ex tb IIIC T80°C Db IP68
	IECEX: Ex db IIC T6 Gb /Ex tb IIIC T80°C Db IP68
	For explosive gas atmospheres, the maximum surface temperature is 85°C;
	For flammable dust atmospheres, the maximum surface temperature is 80°C;
	IIC: for explosive gas atmospheres other than mines susceptible to firedamp;
	For explosive gas mixture atmospheres: Zone 1, Zone 2, Zone 21, Zone 22.

Accessories



Wall Mount Bracket for DS-2XE6222F

Wall Bracket



Ex-Proof Junction Box DS-2780ZJ-X/316L

Junction Box