

2310131036

Ex-Proof Junction Box DS-2780ZJ-X/316L

Junction Box

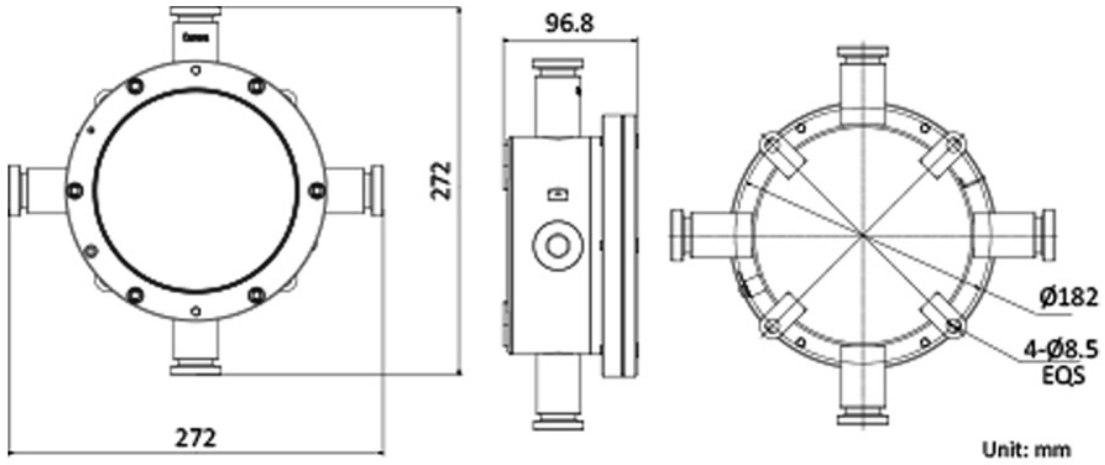


- ✓ 4 cable outlets
- ✓ 316L stainless steel
- ✓ IP68
- ✓ ATEX and IECEx

Description

The Ex-Proof Junction Box DS-2780ZJ-X/316L is a stainless steel 316L explosion-proof terminal box with four cable outlets. It has ATEX and IECEx certifications for explosion-proof performance and IP68.

Technical Dimensions



Specifications

PARAMETER

Material	Stainless Steel 316L
Dimensions	272 mm × 272 mm × 96.8 mm
Weight	Approx. 6.4 kg
Cable Outlet	4 cable outlets, M25 × 1.5
Operating Conditions	-40°C to +60°C , 95%RH or less (non-condensing)
Hazardous Area	Zone 1, Zone 2, Zone 21, and Zone 22
Ingress protection	IP68
Interface	110 to 240 VAC/24 VAC/8 to 36 VDC, CVBS, RS-485, 1 audio input, 1 audio output, 2 alarm inputs and 2 alarm outputs, RJ45 Ethernet interface (PoE 802.3 at/af supported)
Power Adapter Preinstalled	No
Wire Gauge	No. 22 to No. 12 AWG, max. 3.294 mm ²
Applicable Device	Device that uses 110 to 240 VAC/24 VAC/8 to 36 VDC/PoE (802.3 at/af) as power supply