

2310111138

Table Mount for HD 24/26/27 monitors

Monitor Desk Mount



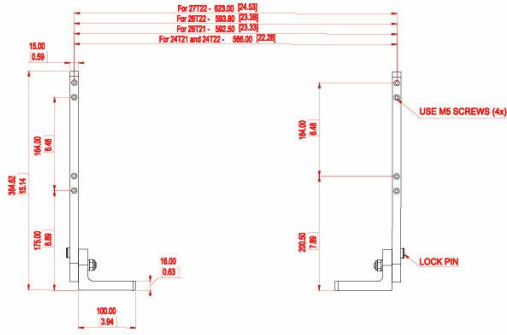
- ✓ Mounting Brackets for 24" / 26" / 27" monitors
- ✓ Dimensions: 384x100x62mm
- ✓ Weight: 3.28kg
- ✓ Ral 9011

Description

The Table Mount for HD 24/26/27 monitors is approved by EN60945 and the color is Ral 9011. The dimensions of the mount are 384x100x62mm and the weight is 3.28kg.

Technical Dimensions

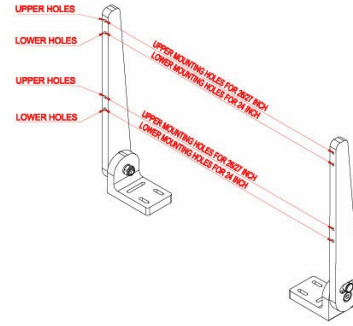
BACK VIEW MOUNTING HOLES



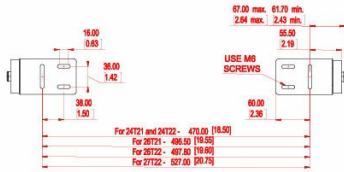
SIDE VIEW



DIMETRIC VIEW



BOTTOM VIEW



Units: mm [inches]

TOP VIEW

