


2310111190

DS-2DE4A225IWG-E 2 MP Network PTZ Camera



Network PTZ Camera

- ✓ 2 MP resolution
- ✓ Up to 60 fps
- ✓ Powered-by-DarkFighter technology
- ✓ 120 dB WDR technology
- ✓ 25 × Optical Zoom
- ✓ Up to 50 m IR
- ✓ Deep Learning

ONVIF ONVIF Conformant  IP66

Description

The DS-2DE4A225IWG-E 2 MP Network PTZ Camera adopts 1/2.8" progressive scan CMOS chip with high quality imaging with a 2 MP resolution and up to 60 fps. Its 50m IR range ensures safety at night and it has excellent low light performance via Powered-by-DarkFighter technology.

DS-2DE4A225IWG-E 2 MP Network PTZ Camera

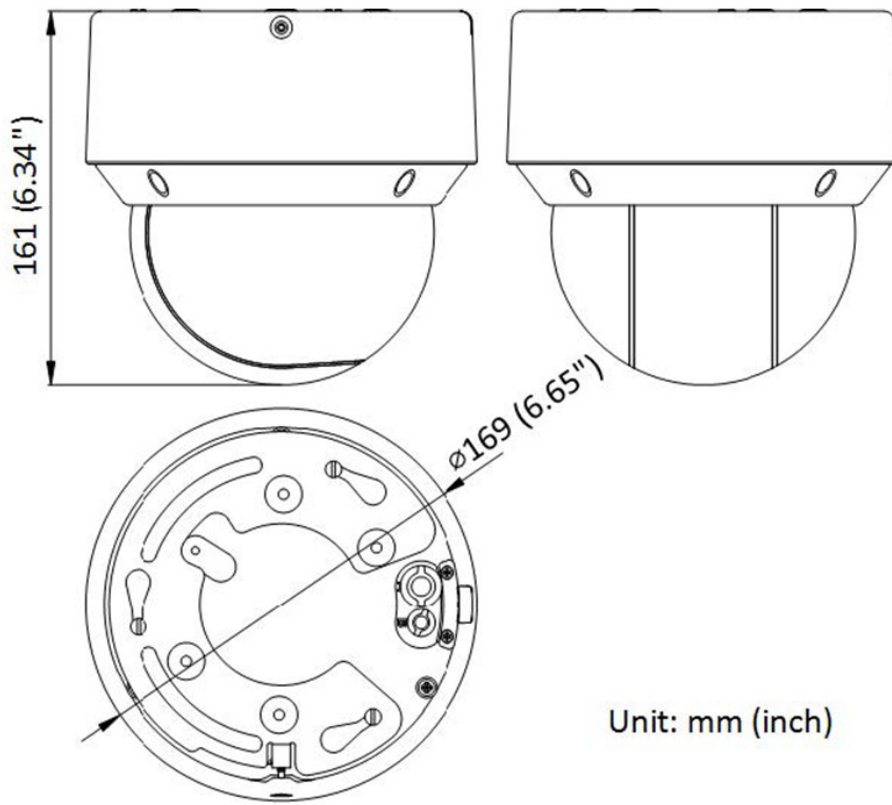
The camera can be used for wide-ranges of high definition making it suitable for needs of the maritime industry. It also has 25x optical zoom and 16x digital zoom that provide close up views over expansive areas. The movement range is 360° (pan) and -5° to 90° (auto flip tilt).

The DS-2DE4A225IWG-E 2 MP Network PTZ Camera supports face capture and therefore, is able to detect up to 5 faces simultaneously. It supports detecting, tracking, capturing, grading, selecting of face in motion, and outputs the best face picture.

This PTZ camera complies with ONVIF profiles S and G and T, making it compatible with a wide range of surveillance devices. The camera can host up to 32 users with 3 user levels of administrator, operator, and user.

It is IP66 rated for water and dust resistance making it suitable for outdoor use. It also has TVS 6000V lightning protection, surge protection, and voltage transient protection.

Technical Dimensions



Specifications

DORI

DORI	Detect	Observe	Recognize	Identify
Definition	25 px/m	63 px/m	125 px/m	250 px/m
Distance (Tele)	1600 m	635 m	320 m	160 m

CAMERA

Image Sensor	1/2.8" Progressive Scan CMOS
Max. Resolution	1920 × 1080
Min. Illumination	Color: 0.005 Lux @ (F1.6, AGC ON), B/W: 0.001 Lux @ (F1.6, AGC ON), 0 Lux with IR
Shutter Speed	1/1 s to 1/30,000 s
Day Night	IR cut filter
Zoom	25 × optical, 16 × digital
Slow Shutter	Yes

LENS

Focal Length	4.8 to 120 mm
FOV	Horizontal FOV 54.9° to 2.7°, vertical FOV 31.5° to 1.5°, diagonal FOV 62.3° to 3.1°
Focus	Auto, semi-auto, manual
Aperture	Max. F1.6
Zoom Speed	Approx. 3.4s

ILLUMINATOR

Supplement Light Type	IR
Supplement Light Range	IR Distance: up to 50 m
Smart Supplement Light	Yes
IR Wavelength	850 nm

PTZ

Movement Range (Pan)	0° to 360°
Movement Range (Tilt)	-5° to 90°
Pan Speed	Pan speed: configurable from 0.1° to 300°/s; preset speed: 350°/s
Tilt Speed	Tilt speed: configurable from 0.1° to 160°/s, preset speed 200°/s
Proportional Zoom	Yes
Presets	300
Preset Freezing	Yes
Patrol Scan	8 patrols, up to 32 presets for each patrol
Pattern Scan	4 pattern scans, record time over 10 minutes for each scan
Park Action	Preset, pattern scan, patrol scan, auto scan, tilt scan, random scan, frame scan, panorama scan
3D Positioning	Yes
PTZ Status Display	Yes
Scheduled Task	preset, pattern scan, patrol scan, auto scan, tilt scan, random scan, frame scan, panorama scan, dome reboot, dome adjust
Power-off Memory	Yes

VIDEO

Main Stream	50 Hz: 50 fps (1920 × 1080, 1280 × 960, 1280 × 720)
	60 Hz: 60 fps (1920 × 1080, 1280 × 960, 1280 × 720)
	*High frame rate is supported under certain settings.
Sub-Stream	50 Hz: 25 fps (704 × 576, 640 × 480, 352 × 288)
	60 Hz: 30 fps (704 × 480, 640 × 480, 352 × 240)
Third Stream	50 Hz: 25 fps (1920 × 1080, 1280 × 960, 1280 × 720, 704 × 576, 640 × 480, 352 × 288)
	60 Hz: 30 fps (1920 × 1080, 1280 × 960, 1280 × 720, 704 × 480, 640 × 480, 352 × 240)
Video Compression	Main stream: H.265+/H.265/H.264+/H.264
	Sub-stream: H.265/H.264/MJPEG
	Third stream: H.265/H.264/MJPEG
H.264 Type	Baseline Profile/Main Profile/High Profile
H.265 Type	Main Profile
Scalable Video Coding (SVC)	H.264 and H.265 encoding
Region of Interest (ROI)	8 fixed regions for each stream

AUDIO

Audio Compression	G.711alaw / G.711ulaw / G.722.1 / G.726 / MP2L2 / PCM / AAC-LC
Audio Bit rate	64 Kbps (G.711)/16 Kbps (G.722.1)/16 Kbps (G.726)/32 to 192 Kbps (MP2L2)/128 to 1024 Kbps (PCM)/16 to 64 Kbps (AAC-LC)
Audio Sampling Rate	AAC-LC: 16 kHz, 32 kHz, 48 kHz; MP2L2: 16 kHz, 32 kHz, 48 kHz; PCM: 8 kHz, 16 kHz, 32 kHz, 48 kHz
Environment Noise Filtering	Yes

NETWORK

Protocols	IPv4/IPv6, HTTP, HTTPS, 802.1x, Qos, FTP, SMTP, UPnP, SNMP, DNS, DDNS, NTP, RTSP, RTCP, RTP, TCP/IP, UDP, IGMP, ICMP, DHCP, PPPoE, Bonjour, WebSocket, WebSockets
Simultaneous Live View	Up to 20 channels
API	Open Network Video Interface (Version 19.12, Profile S, Profile G, Profile T), ISAPI, SDK, ISUP
User/Host	Up to 32 users; 3 user levels: administrator, operator, and user
Security	Password protection, complicated password, HTTPS encryption, 802.1X authentication (EAP-TLS, EAP-LEAP, EAP-MD5), watermark, IP address filter, basic and digest authentication for HTTP/HTTPS, control timeout settings, security audit log, TLS 1.2, host authentication (MAC address)
Network Storage	NAS (NFS, SMB/CIFS), auto network replenishment (ANR)
Client	iVMS-4200, HikCentral Pro, Hik-Connect
Web Browser	IE 10 to 11, Chrome 57+, Firefox 52+, Safari 11+

IMAGE

Image Parameters Switch	Yes
Image Settings	Saturation, brightness, contrast, sharpness, gain, and white balance adjustable by client software or web browser
Day/Night Switch	Day, Night, Auto, Schedule
Wide Dynamic Range (WDR)	120 dB
SNR	52 dB
Defog	Digital Defog
Image Enhancement	BLC, HLC, 3D DNR
Privacy Mask	24 programmable polygon privacy masks, mask color or mosaic configurable
Regional Focus	Yes
Regional Exposure	Yes

INTERFACE

Ethernet Interface	1 RJ45 10 M/100 M self-adaptive Ethernet port
On-board Storage	Built-in memory card slot, support microSD/SDHC/SDXC card, up to 256 GB
Audio	1 input (line in), max. input amplitude: 2-2.4 vpp, input impedance: 1 K Ω \pm 10%; 1 output (line out), line level, output impedance: 600 Ω
Alarm	2 inputs, 2 outputs
Reset	Yes

EVENT

Basic Event	Motion detection, video tampering alarm, exception, alarm input and output
Smart Event	line crossing detection, intrusion detection, region entrance detection, region exiting detection, unattended baggage detection, object removal detection, audio exception detection
Alarm Linkage	Upload to FTP/NAS/memory card, notify surveillance center, send email, trigger alarm output, trigger recording, and PTZ actions (such as preset, patrol scan, pattern scan)
Smart Tracking	Manual tracking, auto-tracking

DEEP LEARNING FUNCTION

Face Capture	Detects up to 5 faces simultaneously
	Supports detecting, tracking, capturing, grading, selecting of face in motion, and outputs the best face picture

GENERAL

Power	12 VDC, Max. 24 W; PoE (802.3at)
Dimensions	Ø 169 mm x 161 mm
Weight	Approx. 2.45 kg
Operating Condition	-30 °C to 65 °C. Humidity 90% or less (non-condensing)
General Function	Mirror, password protection

APPROVAL

Protection	IP66 (IEC 60529-2013), TVS 6000V lightning protection, surge protection and voltage transient protection
------------	--