

4000019391

## ITCS-C6

Unit for Calling and Call Reset in Inelteh Call System

- ✔ Unit for calling and call reset in Inelteh Call System
- ✔ Water-resistant (IP-56) design
- ✔ Illuminated call button (green) for visibility
- ✔ Illuminated reset button (red) for status indication

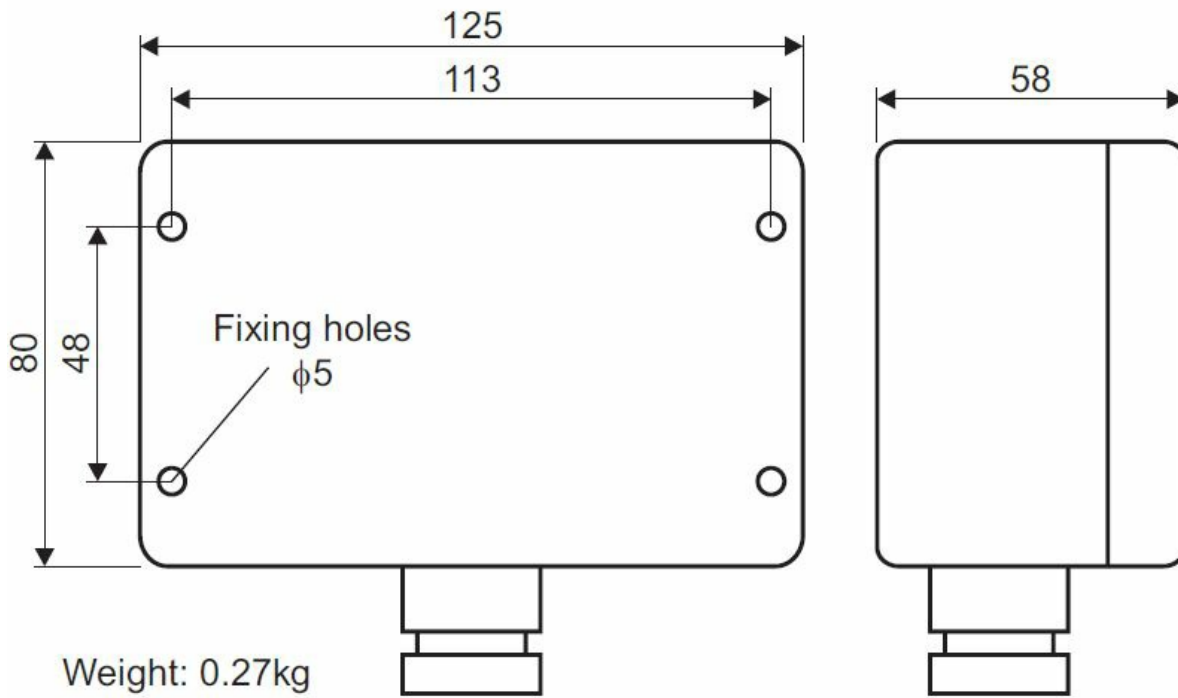
## Description

The ITCS-C6 is a water-resistant (IP-56) unit designed for calling and call reset within the Inelteh Call System. It features an illuminated green "CALL" push-button for easy activation and a red "RESET" push-button that lights up when a call is active. The unit ensures visibility in dark spaces, making it suitable for various onboard applications.

- ✔ Illuminated call button (green) – Stays on when the system is powered, ensuring visibility.
- ✔ Illuminated reset button (red) – Lights up when a call is active and turns off once the call is reset.
- ✔ Water-resistant (IP-56) design – Provides durability in demanding environments..

The ITCS-C6 enhances safety and accessibility, providing a clear and visible emergency call solution for onboard environments.

## Technical Dimensions



# Specifications

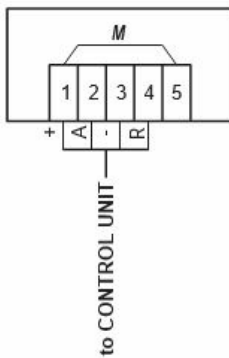
## TECHNICAL

Dimensions (WxHxD)	80 x 125 x 58 mm (HxWxD)
Weight	0.27 kg
Cable entry	1 pc. Gland - PG13.5
Power consumption	24VDC / 0.026A

## ENVIRONMENTAL

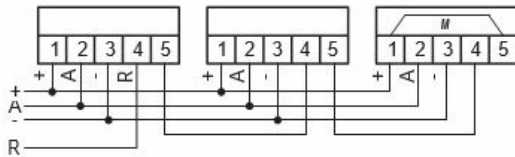
Protection	IP56
Temperature	-25°C to +70°C

### CONNECTION:



### NOTE:

If more calling units type ITCS-C4, C5 or C6 is used for same calling place/line, terminals 1,2,3 are connected in parallel and terminals 4,5 in series. Put link *M* on last unit in chain.



## Used With



ITCS-1A-24VDC

Single Call Control Unit for  
Inelteh Call System (24VDC)

Item Number: 4000018411

ITCS-1A-230VAC

Single Call Control Unit, 230  
VAC

Item Number: 4000018932

ITCS-2A-24VDC

Dual Call Control Unit for  
Inelteh Call System (24VDC)

Item Number: 4000018412

ITCS-2A-230VAC

Dual Call Control Unit for  
Inelteh Call System (230VAC)

Item Number: 4000018931