

4000017465

DSP-15 EExmNT 25W - 2x blind plugs

Ex horn speaker, Ex db eb mb IIB+H2 T4 Gb, 2x blind plugs



- ✓ 25W
- ✓ 2x M20 blind plugs
- ✓ Tappings: 1.5W - 2.5W - 5W - 6.5W - 15W - 25W
- ✓ Ex db eb mb IIB+H2 T4 Gb
- ✓ Ex tb IIIC T105°C Db

 IP66  IP67  IEC Ex Intercom  Atex

Description

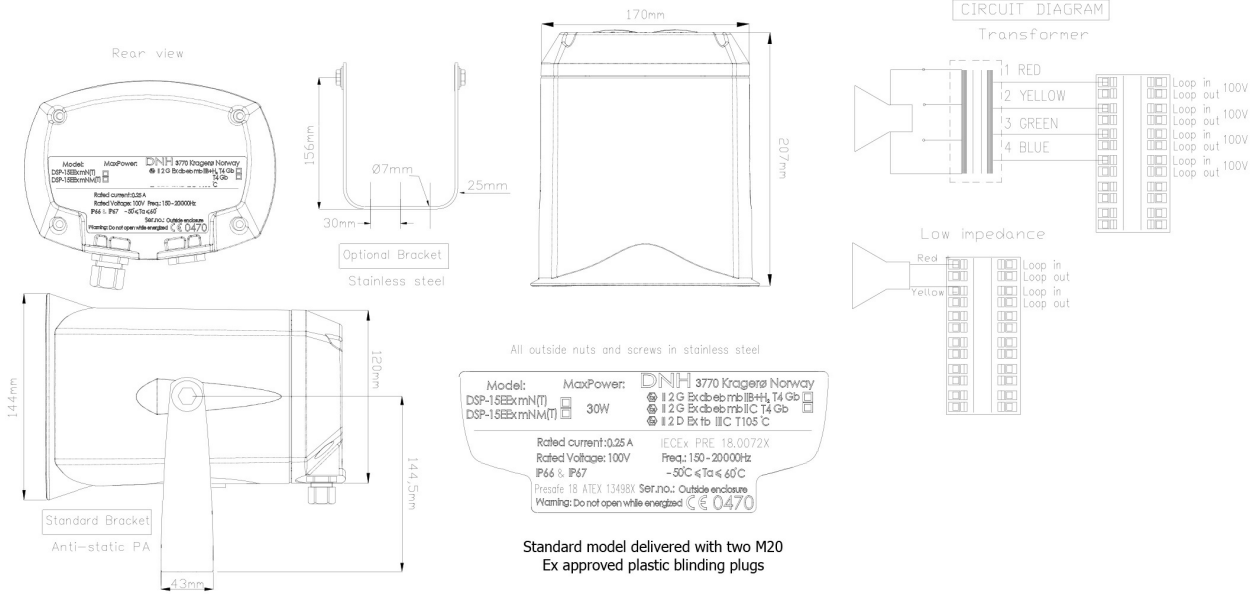
- ✓ With a 100V line transformer
- ✓ With an internal thermal fuse
- ✓ Rated/max. power: 25W
- ✓ Tappings: 1.5W - 2.5W - 5W - 6.5W - 15W - 25W
- ✓ Material: Antistatic PA / Black
- ✓ Bracket and all outside nuts and screws in stainless steel

Installation, Operation and Maintenance Procedures

- ✓ Remove the lid by four screws, lead the cable through the cable gland, and connect to the terminal with the required tapping.
- ✓ Every time the back lid is removed, check that the gasket is fitted correctly to the lid before you refit the back lid. Do not use any lubricants on the gasket.
- ✓ Screw the lid back into place with four screws with a torque of 0,95-1,2 Nm to ensure the IP rating.
- ✓ To change the position of the loudspeaker, please adjust the standard U-bracket (by loosening/tightening the screws) as required.
- ✓ Use only IECEx/ATEX certified "Ex eb" cable glands and blanking plugs reflecting the same IP rating and temperature range as the loudspeaker.
- ✓ Standard model delivered with two M20 Ex-approved plastic blanking plugs.

- ✔ According to customer requirements, DSP-15EExmN(T) can be supplied with three different bracket systems.
- ✔ For optimum performance, always use the correct voltage/power and operate within the frequency limits as stated.
- ✔ Do not open the loudspeaker when energized.

Technical Dimensions



Specifications

GENERAL

Material / Color	Anti-static PA / Black
Mounting	Bracket
Termination	e-chamber, push terminals
Weight w/ transformer	2,2 kg
IP-rating	IP-66/67
Max / min amb temp.	60°C / -50°C
Rated / max. power	25 W / 30 W
SPL 1W/1m	106 dB
SPL rated power	118 dB
Effective freq range	380-8000 Hz
Dispersion (-6dB) 1kHz / 4kHz	120° / 37°
Directivity factor, Q (1kHz/4kHz)	4,5 / 9,6
Fuse	Thermal fuse- 84°C, 2x Short-circuit protection fuses
Environmental Condition	Exposed